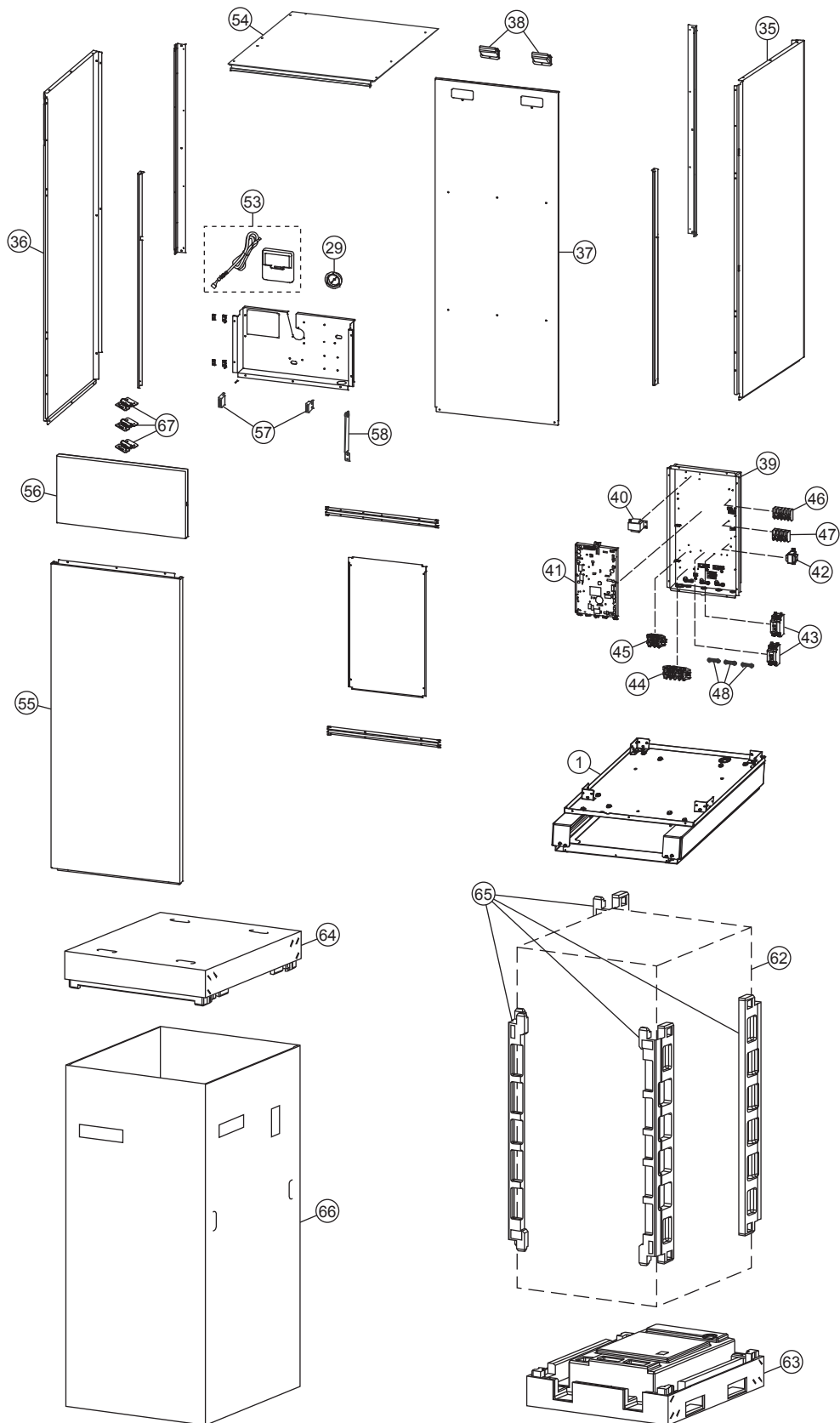


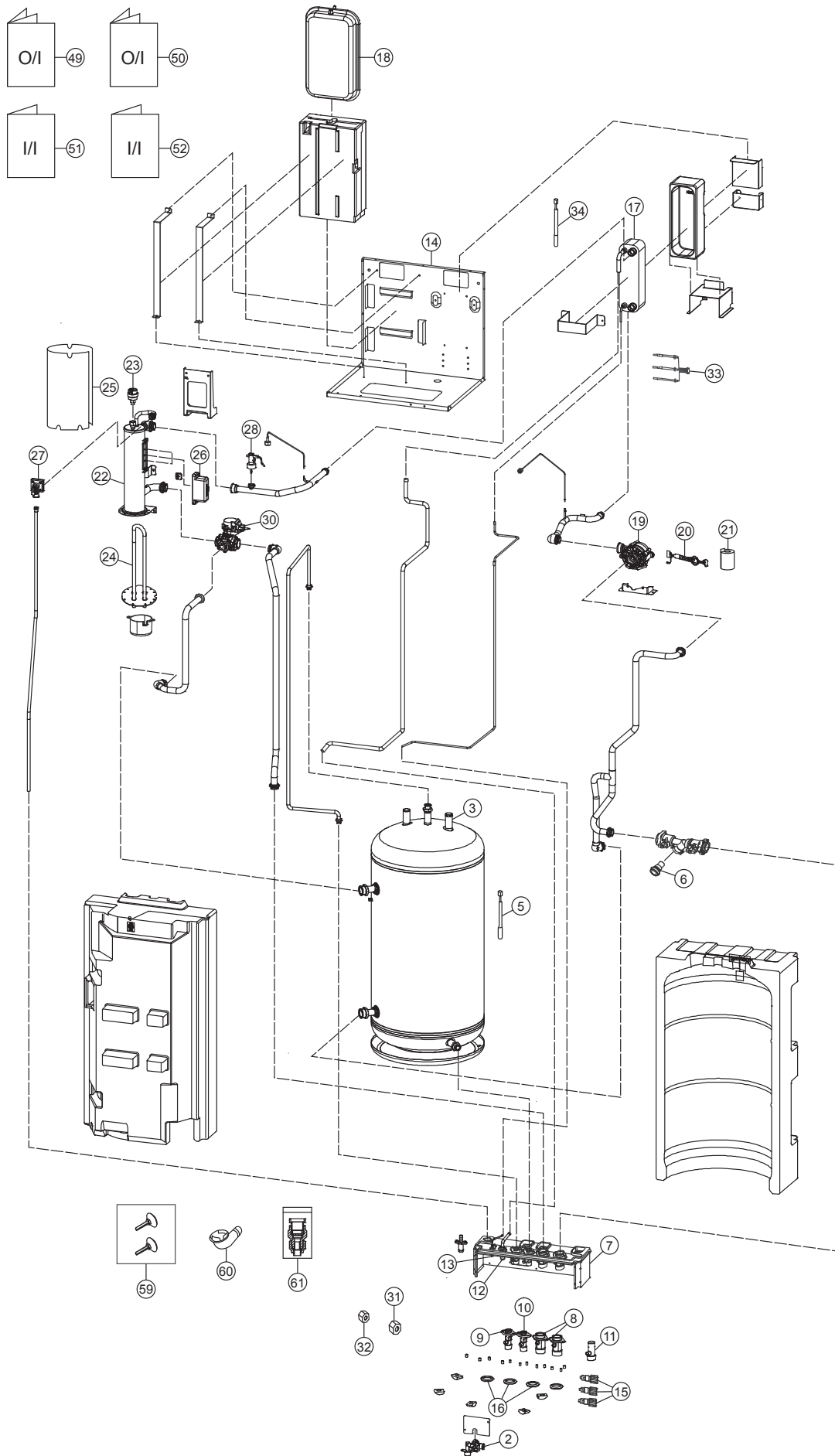
20. Exploded View and Replacement Parts List

20.1 Indoor Unit



Note:

- The above exploded view is for the purpose of parts disassembly and replacement.
- The non-numbered parts are not kept as standard service parts.



Note:

- The above exploded view is for the purpose of parts disassembly and replacement.
- The non-numbered parts are not kept as standard service parts.

SAFETY	NO.	DESCRIPTION	QTY.	WH-ADC0309G3E5	REMARK
	1	CHASSIS COMPLETE	1	CWD50C1855	
	2	DRAIN VALVE	1	CWB65C1025	O
	3	ANODE BAR	1	56200	*
	5	SENSOR CO. (TANK TEMP CN-TH2)	1	CWA50C3257	O
	6	FILTER COMPLETE	1	CWB51C1019	O
	7	HOLDER-COUPLING	1	CWH351297	
	8	TUBE CONNECTER (WATER IN OUT)	2	CWT291196	
	9	TUBE CONNECTER (DOMESTIC HOT WATER IN OUT)	1	CWT291197	
	10	TUBE CONNECTER (DOMESTIC HOT WATER IN)	1	CWT291203	
	11	PRESSURE RELIEF VALVE (TUBE CON. DOMESTIC HOT WATER IN)	1	CWB62C1198	O
	12	TUBE CONNECTER (REF. GAS)	1	CWT291199	
	13	TUBE CONNECTER (REF. LIQUID)	1	CWT291200	
	14	BASE PAN (HEATER)	1	CWD521419	
	15	PURGE PLUG	3	CWB821027	
	16	O-RING (PURGE PLUG)	3	CWB811190	
	17	HOT WATER COIL-COMplete	1	CWB90C1131	
	18	RECEIVER	1	CWB141073	
	19	WATER PUMP	1	CWB532116	O
	20	LEAD WIRE FOR WATER PUMP	1	CWA68C1394	O
	21	FERRITE CORE	1	CWA431122	O
	22	BOTTLE COMPLETE	1	CWH90C0052	
	23	AIR PURGE VALVE	1	CWB621094	O
	24	HEATER ASSY	1	CWA34K1046	
	25	SOUND PROOF MATERIAL	1	CWG302906	
	26	THERMOSTAT	2	CWA151074	O
	27	PRESSURE RELIEF VALVE	1	CWB621092	
	28	FLOW SWITCH	1	CWB621133	O
	29	PRESSURE GAUGE	1	CWB070001	
	30	3 WAY VALVE (WATER)	1	CWB621134	
	31	FLARE NUT (5/8)	1	CWT251064	
	32	FLARE NUT (1/4)	1	CWT251063	
	33	SENSOR-CO. (WATER IN OUT, REF TEMP SENSOR CN-TH1)	1	CWA50C3259	O
	34	SENSOR-CO. (HEX WATER OUTLET TEMP CN-TH3)	1	CWA50C3260	O
	35	CABINET SIDE PLATE (R)	1	CWE041824A	
	36	CABINET SIDE PLATE (L)	1	CWE041825A	
	37	CABINET REAR PLATE	1	CWE021129	
	38	HANDLE	2	CWE161014	
	39	CONTROL BOARD	1	CWH102600	
	40	TRANSFORMER COMPLETE	1	CWA40C1096	O
⚠	41	ELECTRONIC CONTROLLER-MAIN	1	CWA73C8676	O
⚠	42	REACTOR	1	G0C103Z00003	O
	43	RESIDUALCURRENT-CIRCUIT BREAKER	2	K5KYYAY00003	O
⚠	44	TERMINAL BOARD ASSY (1, 2, 3)	1	CWA28K1217	O
⚠	45	TERMINAL BOARD ASSY (A, B)	1	CWA28K1238	O
⚠	46	TERMINAL BOARD ASSY (1, 2, 3, 4, 5)	1	CWA28K1328	O
⚠	47	TERMINAL BOARD ASSY (6, 7, 8, 9)	1	CWA28K1329	O

SAFETY	NO.	DESCRIPTION	QTY.	WH-ADC0309G3E5	REMARK
	48	HOLDER-P.S. CORD	3	CWH31103	
	49	OPERATING INSTRUCTION	1	CWF569727	
	50	OPERATING INSTRUCTION	1	CWF569765	
	51	INSTALLATION INSTRUCTION	1	CWF616515	
	52	INSTALLATION INSTRUCTION	1	CWF616540	
	53	REMOTE CONTROL COMPLETE	1	CWA75C4522	O
	54	CABINET TOP PLATE	1	CWE031220	
	55	CABINET FRONT PLATE	1	CWE061380A	
	56	CABINET FRONT PLATE ASS'Y	1	CWE06K1114A	
	57	MAGNET CATCHER	2	CWH601009	
	58	LEVER ARM	1	CWH651115	
	59	ACCESSORY-ADJUSTABLE FEET	1	CWH82C2112	
	60	ACCESSORY CO. (DRAIN ELBOW)	1	CWG87C900	
	61	REDUCING ADAPTER	1	CWT27C1008	
	62	BAG	1	CWG861544	
	63	BASE BOARD-CO. (BOTTOM)	1	CWG62C1201	
	64	BASE BOARD-CO. (UPPER)	1	CWG60C1058	
	65	SHOCK ABSORBER	4	CWG713134	
	66	C.C.CASE	1	CWG580594	
	67	HINGE	3	CWH611005	

Note:

- All parts are supplied from PAPAMY, Malaysia (Vendor Code: 00029488) except (*).
- "O" marked parts are recommended to be kept in stock.
- (*) supplied by PCSE (Hamburg).