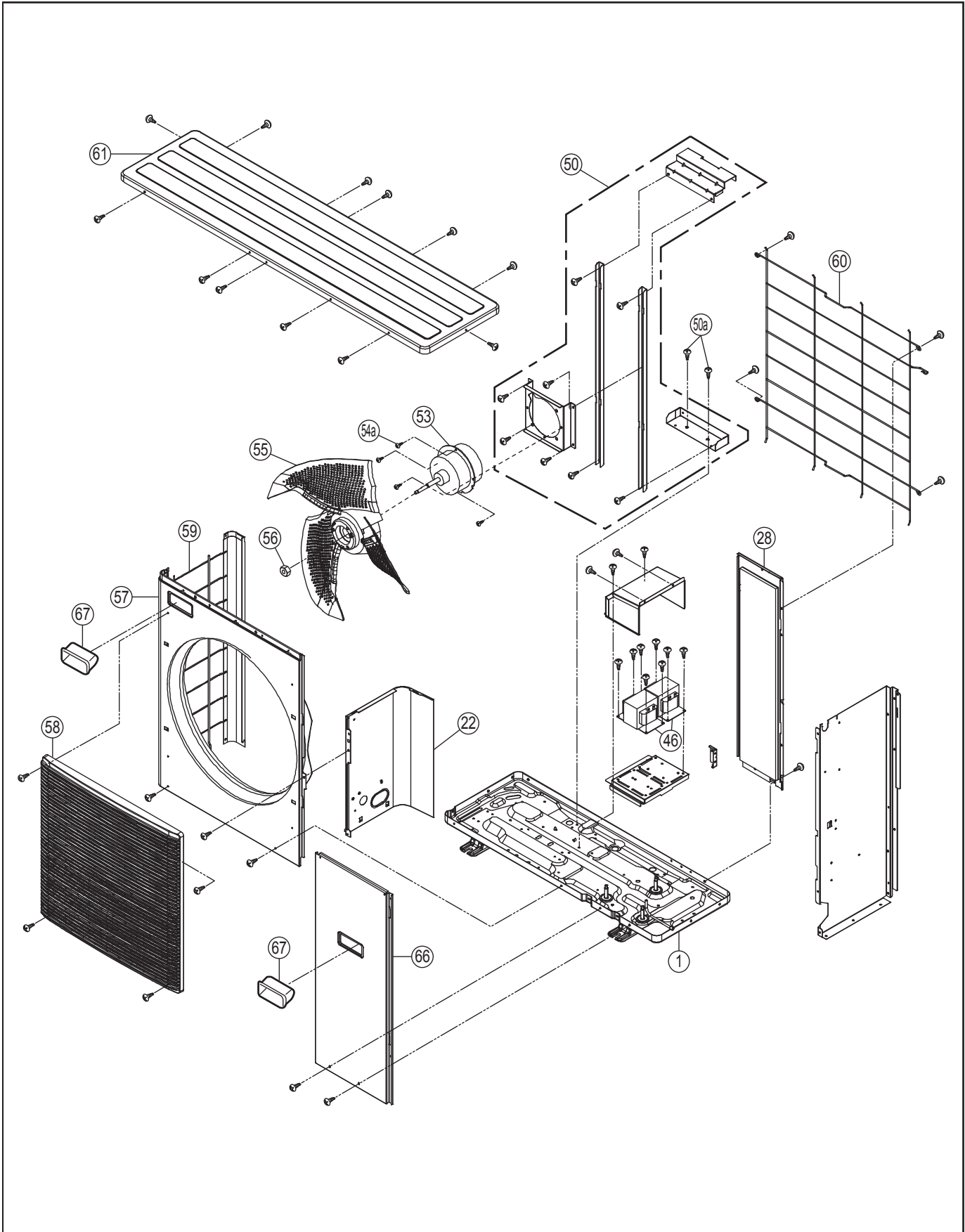
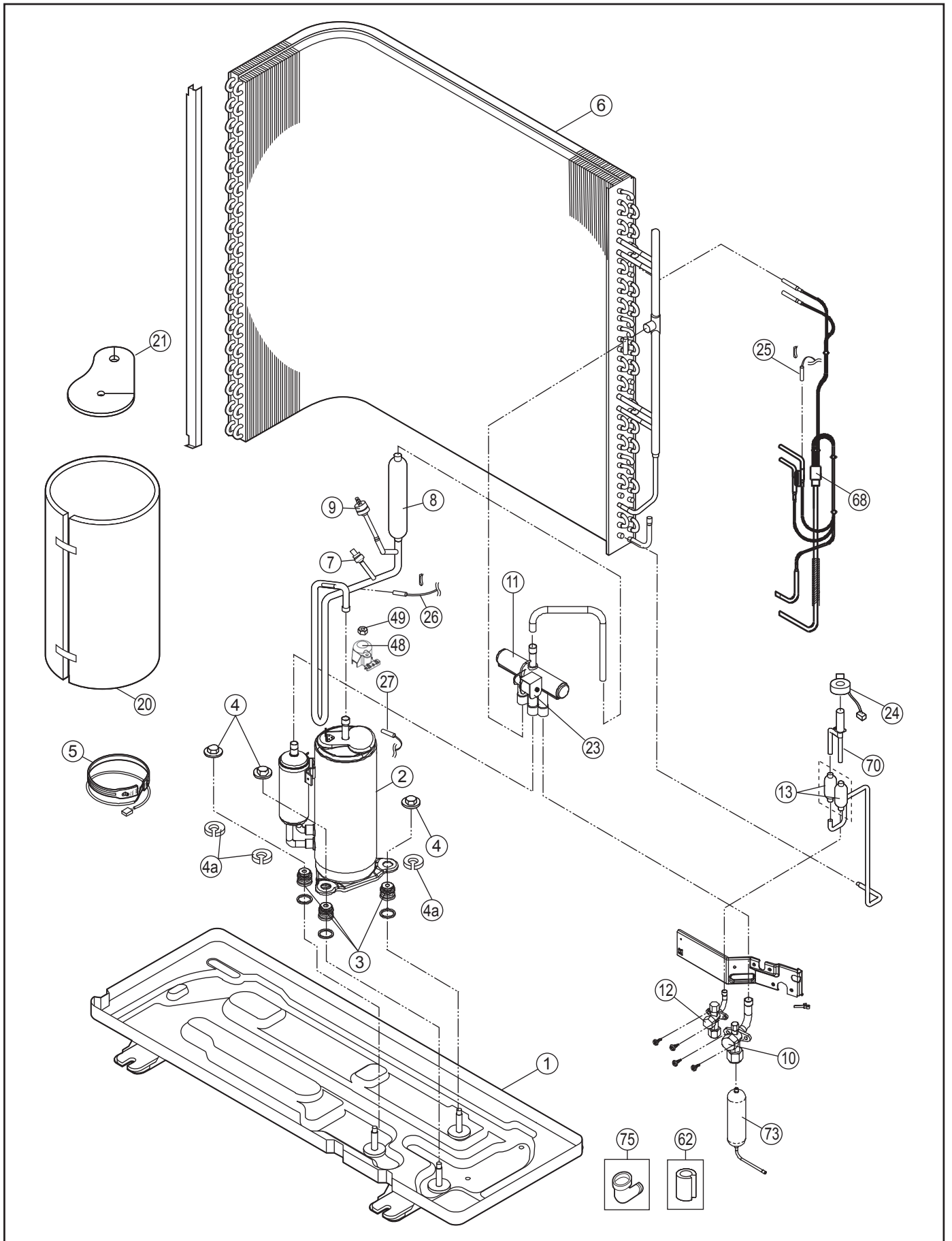
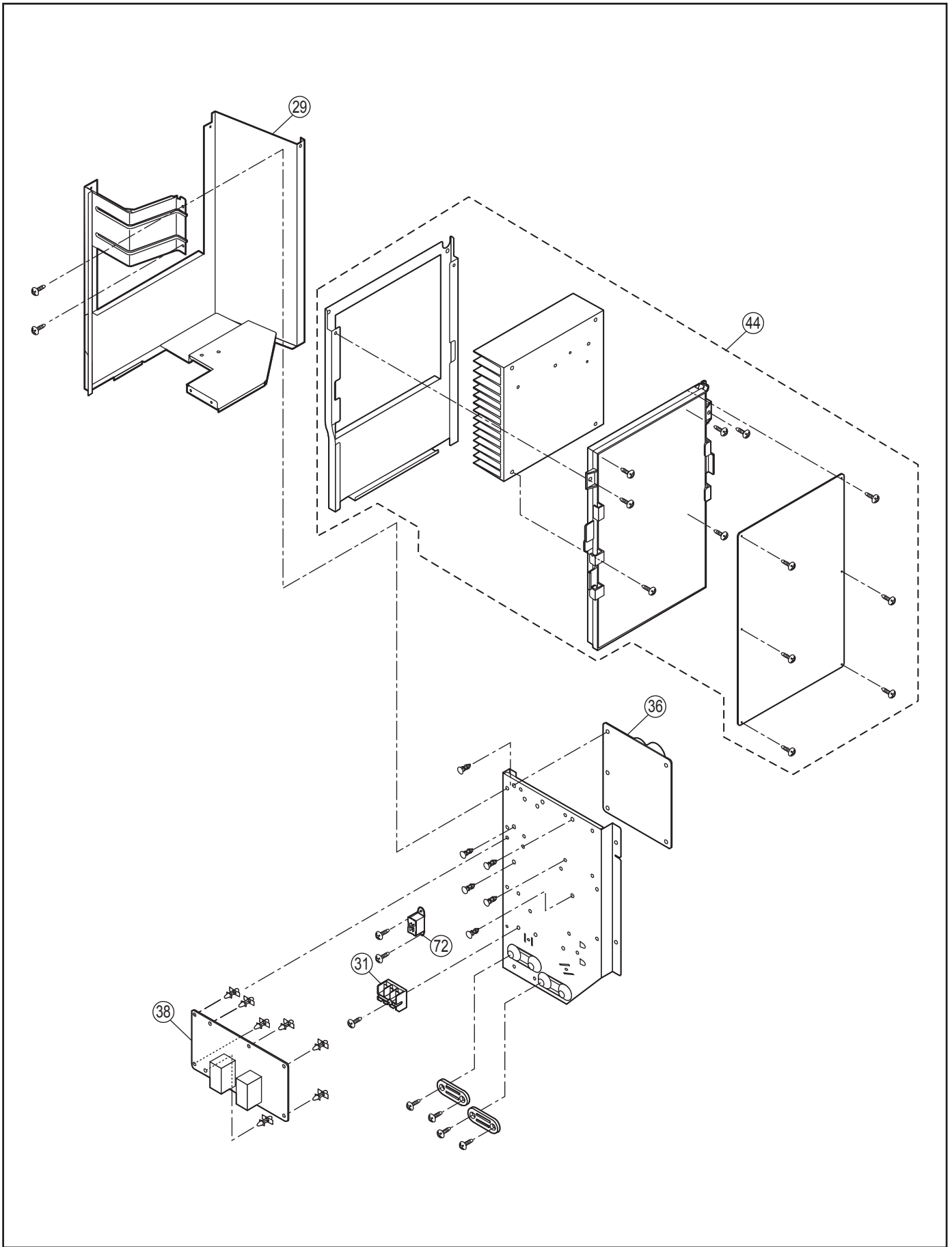


# 19. Exploded View and Replacement Parts List

## 19.1 WH-MDC05F3E5 (Refrigerant System)







**Note:**

- The above exploded view is for the purpose of parts disassembly and replacement.
- The non-numbered parts are not kept as standard service parts.

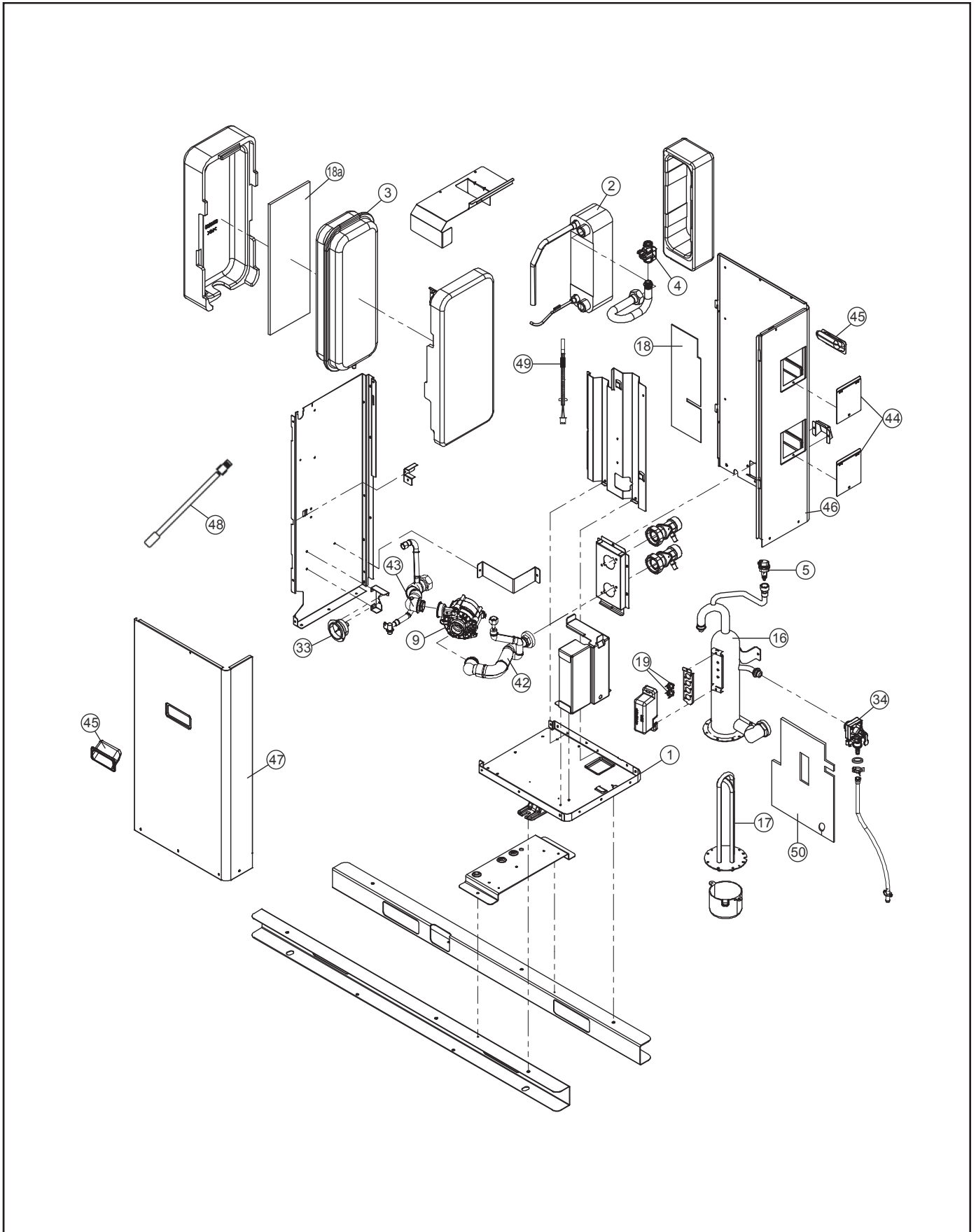
< Model: Refrigerant System >

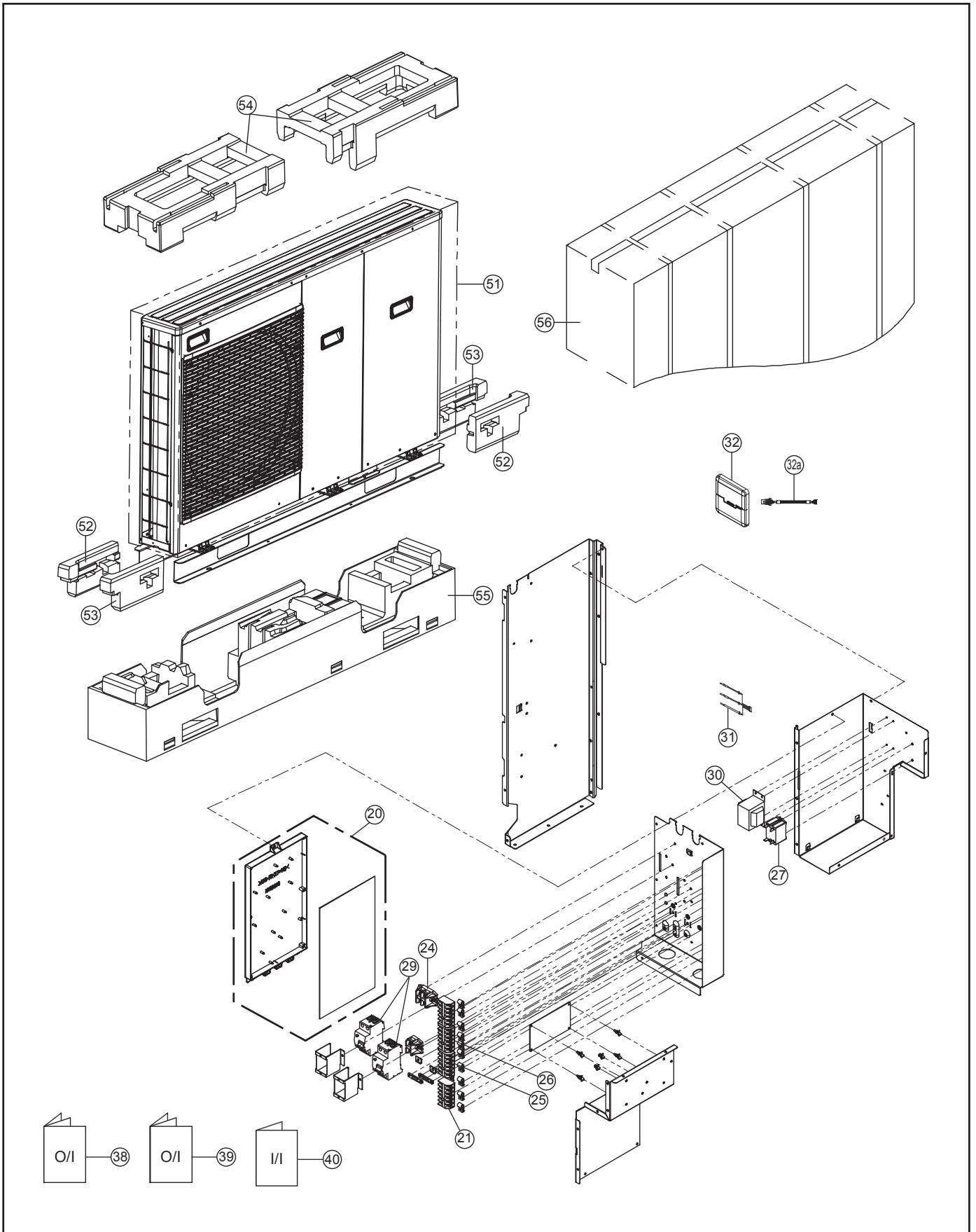
SAFETY	REF. NO.	DESCRIPTION & NAME	QTY.	WH-MDC05F3E5	REMARK
	1	BASE PAN ASS'Y	1	CWD52K1282	
⚠	2	COMPRESSOR	1	5KD240XAA21	o
	3	BUSHING - COMPRESSOR MOUNT	3	CWH50055	
	4	NUT - COMPRESSOR MOUNT	3	CWH561049	
	4a	GASKET FOR TERMINAL COVER	3	CWB811017	
	5	CRANKCASE HEATER	1	CWA341043	
	6	CONDENSER COMPLETE	1	CWB32C2846	
	7	HIGH PRESSURE SENSOR	1	CWA501463	o
	8	DISCHARGE MUFFLER	1	CWB121013	
	9	PRESSURE SWITCH	1	CWA101007	o
	10	3-WAYS VALVE (GAS)	1	CWB011700	o
	11	4-WAYS VALVE	1	CWB001026J	o
	12	3-WAYS VALVE (LIQUID)	1	CWB011698	o
	13	STRAINER	2	CWB111024	
	20	SOUND PROOF MATERIAL	1	CWG302683	
	21	SOUND PROOF MATERIAL	1	CWG302246	
	22	SOUND PROOF BOARD	1	CWH151195	
⚠	23	V-COIL COMPLETE (FOR 4 WAY VALVE)	1	CWA43C2169J	o
⚠	24	V-COIL COMPLETE (FOR MAIN EXPANSION VALVE)	1	CWA43C2342	o
	25	SENSOR - COMP. - OUTDOOR TEMP (CN-TH1)	1	CWA50C2652	o
	26	SENSOR - COMP. - DIS TEMP (CN-DIS)	1	CWA50C2528	o
	27	SENSOR - COMP. - COMP TANK TEMP (CN-TANK)	1	CWA50C2665	o
	28	CABINET REAR PLATE - COMPLETE	1	CWE02C1062	
	29	CONTROL BOARD CASING	1	CWH10K1150	
⚠	31	TERMINAL BOARD ASS'Y (1,2,3)	1	CWA28K1251	o
⚠	36	ELECTRONIC CO. (CAPACITOR)	1	CWA746184	o
⚠	38	ELECTRONIC CO. (NOISE FILTER)	1	CWA747839	o
⚠	44	ELECTRONIC CONTROLLER (MAIN)	1	CWA73C8150R	o
⚠	46	REACTOR	2	G0C592J00005	o
	48	TERMINAL COVER	1	CWH171039A	
	49	NUT - TERMINAL COVER	1	CWH7080300J	
	50	FAN MOTOR BRACKET	1	CWD54K1052	
	50a	SCREW - FAN MOTOR BRACKET	2	CWH551040J	
⚠	53	FAN MOTOR	1	EHDS80C60AC	o
	54a	SCREW - FAN MOTOR MOUNT	4	CWH551323	
	55	PROPELLER FAN ASSY	1	CWH00K1006	
	56	NUT	1	CWH561092	
	57	CABINET FRONT PLATE	1	CWE061118A	
	58	DISCHARGE GRILLE	1	CWE201073	
	59	CABINET SIDE PLATE ASSY	1	CWE04K1019A	
	60	WIRE NET	1	CWD041102A	
	61	CABINET TOP PLATE	1	CWE03C1105	
	62	ACCESSORY CO. (RUBBER CAP)	1	CWH82C1839	
	66	CABINET FRONT PLATE	1	CWE06C1359	
	67	HANDLE	2	CWE161008	
	68	TUBE ASSY (CAP.TUBE)	1	CWT07K1547	
	70	EXPANSION VALVE	1	CWB051029	o
	72	ELECTRO MAGNETIC SWITCH	1	CWA001023	o
	73	RECEIVER	1	CWB141070	
	75	ACCESSORY CO. (DRAIN ELBOW)	1	CWG87C2030	

**Note:**

- All parts are supplied from PAPAMY, Malaysia (Vendor Code: 00029488).
- "O" marked parts are recommended to be kept in stock.

## 19.2 WH-MDC05F3E5 (Water System)





**Note:**

- The above exploded view is for the purpose of parts disassembly and replacement.
- The non-numbered parts are not kept as standard service parts.

<Model: Water System >

SAFETY	REF. NO.	DESCRIPTION & NAME	QTY.	WH-MDC05F3E5	REMARK
	1	BASE PAN ASS'Y	1	CWD52K1360	
	2	HOT WATER COIL - COMPLETE	1	CWB90C1067	O
	3	RECEIVER	1	CWB141066	
	4	FLOW SWITCH	1	CWB621034	
	5	AIR PURGE VALVE	1	CWB621094	O
	9	PUMP	1	CWB532116	
	16	BOTTLE COMP.	1	CWH90C0035	
	17	HEATER ASS'Y	1	CWA34K1026	
	18	SOUND PROOF MATERIAL	1	CWG302646	
	18a	SOUND PROOF MATERIAL	1	CWG302649	
	19	THERMOSTAT	2	CWA151074	O
⚠	20	ELECTRONIC CONTROLLER (MAIN)	1	CWA73C8149R	O
⚠	21	TERMINAL BOARD ASS'Y (2,3 WAY VALVE)	1	CWA28K1229	O
⚠	24	TERMINAL BOARD ASS'Y (A,B)	1	CWA28C2545	O
⚠	25	TERMINAL BOARD ASS'Y (BOOSTER HEATER)	1	CWA28K1230	O
⚠	26	TERMINAL BOARD ASS'Y (TANK)	1	CWA28K1231	O
	27	MAGNET RELAYS	1	G0C103Z00003	O
	29	CIRCUIT BREAKER	2	CWA181005	O
	30	TRANSFORMER - COMPLETE	1	CWA40C1096	O
	31	SENSOR - COMPLETE (CN-TH1)	1	CWA50C2816	O
⚠	32	REMOTE CONTROL COMPLETE	1	CWA75C4466	O
	32a	REMOTE CONTROL CABLE	1	CWA221090	
	33	PRESSURE GAUGE	1	CWB070001	O
	34	PRESSURE RELIEF VALVE	1	CWB621092	
	38	OPERATING INSTRUCTION	1	CWF569400	
	39	OPERATING INSTRUCTION	1	CWF569417	
	40	INSTALLATION INSTRUCTION	1	CWF616165	
	42	TUBE CONNECTOR	1	CWT01C6777	
	43	TUBE CONNECTOR - COMPLETE	1	CWT01C6778	
	44	CONTROL BOARD COVER	2	CWH131420A	
	45	HANDLE	2	CWE161008	
	46	CABINET SIDE PLATE ASS'Y	1	CWE041665A	
	47	CABINET FRONT PLATE	1	CWE061293A	
	48	HEATER	1	CWA341071	
	49	SENSOR COMPLETE (HEX WATER OUTLET TEMP)	1	CWA50C3199	O
	50	SOUND PROOF MATERIAL	1	CWG302748	
	51	BAG	1	CWG861483	
	52	SHOCK ABSORBER	2	CWG713241	
	53	SHOCK ABSORBER	2	CWG713242	
	54	SHOCK ABSORBER	2	CWG713243	
	55	BASE BOARD - COMPLETE	1	CWG62C1132	
	56	C.C.CASE	1	CWG568366	

**Note:**

- All parts are supplied from PAPAMY, Malaysia (Vendor Code: 00029488).
- "O" marked parts are recommended to be kept in stock.