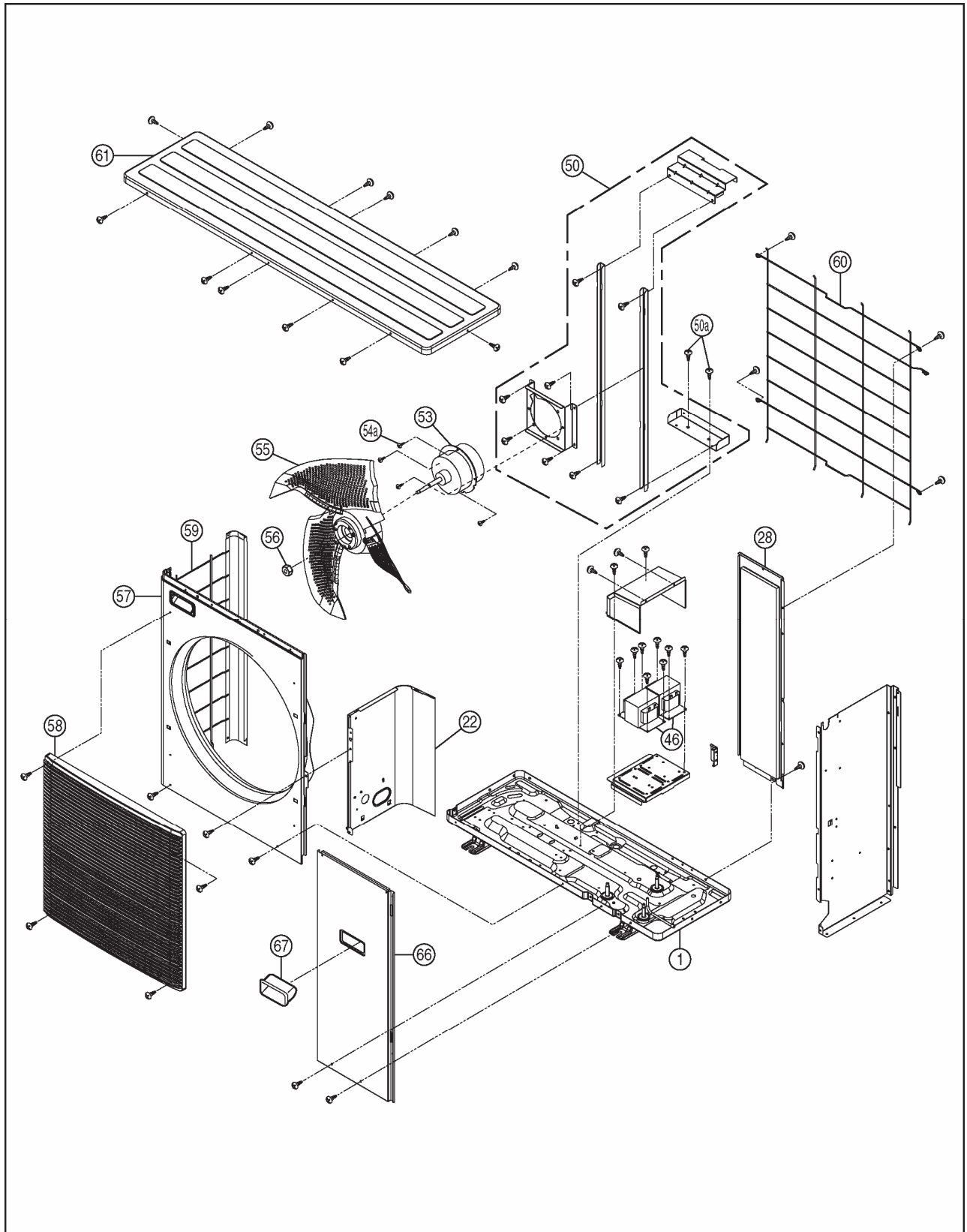
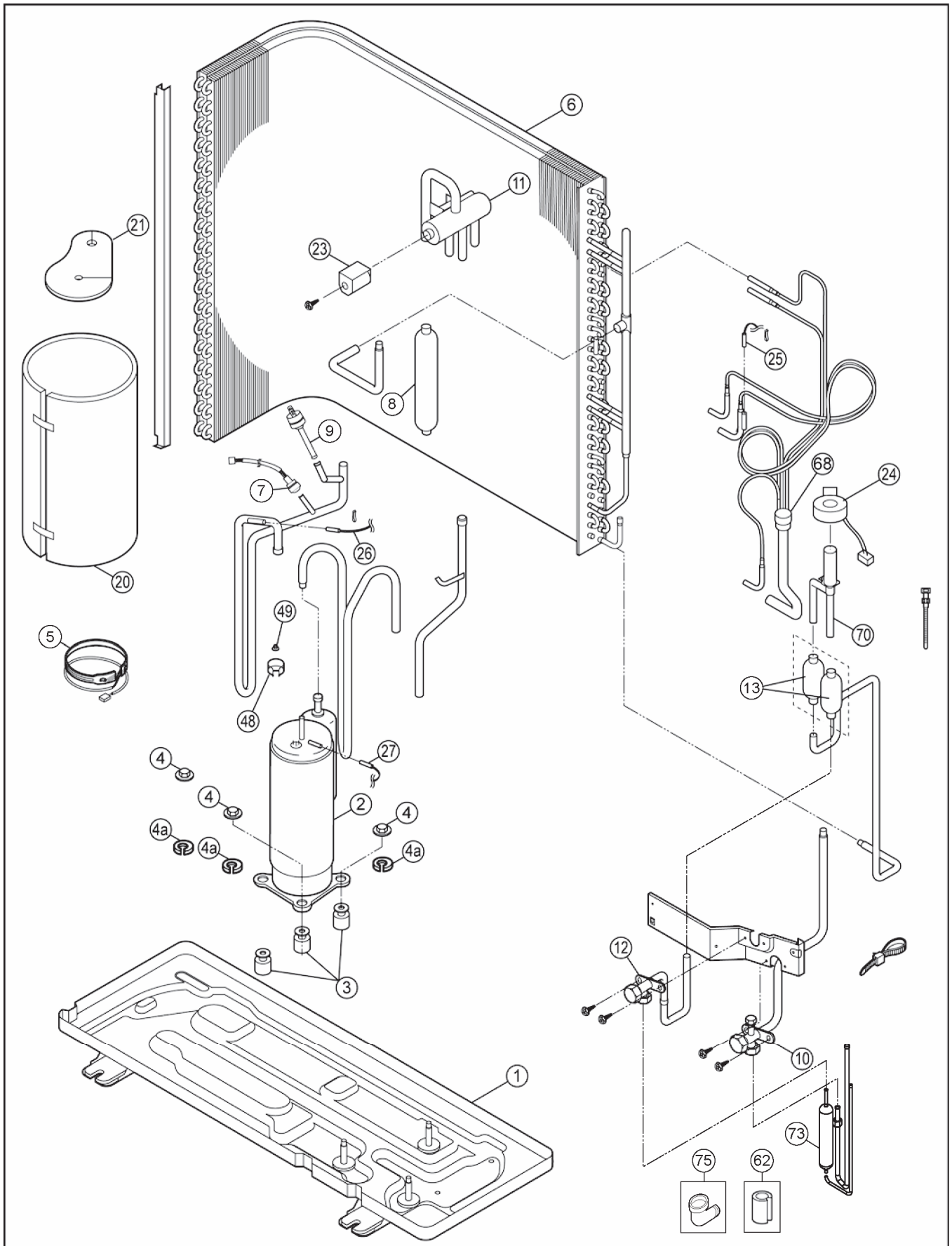
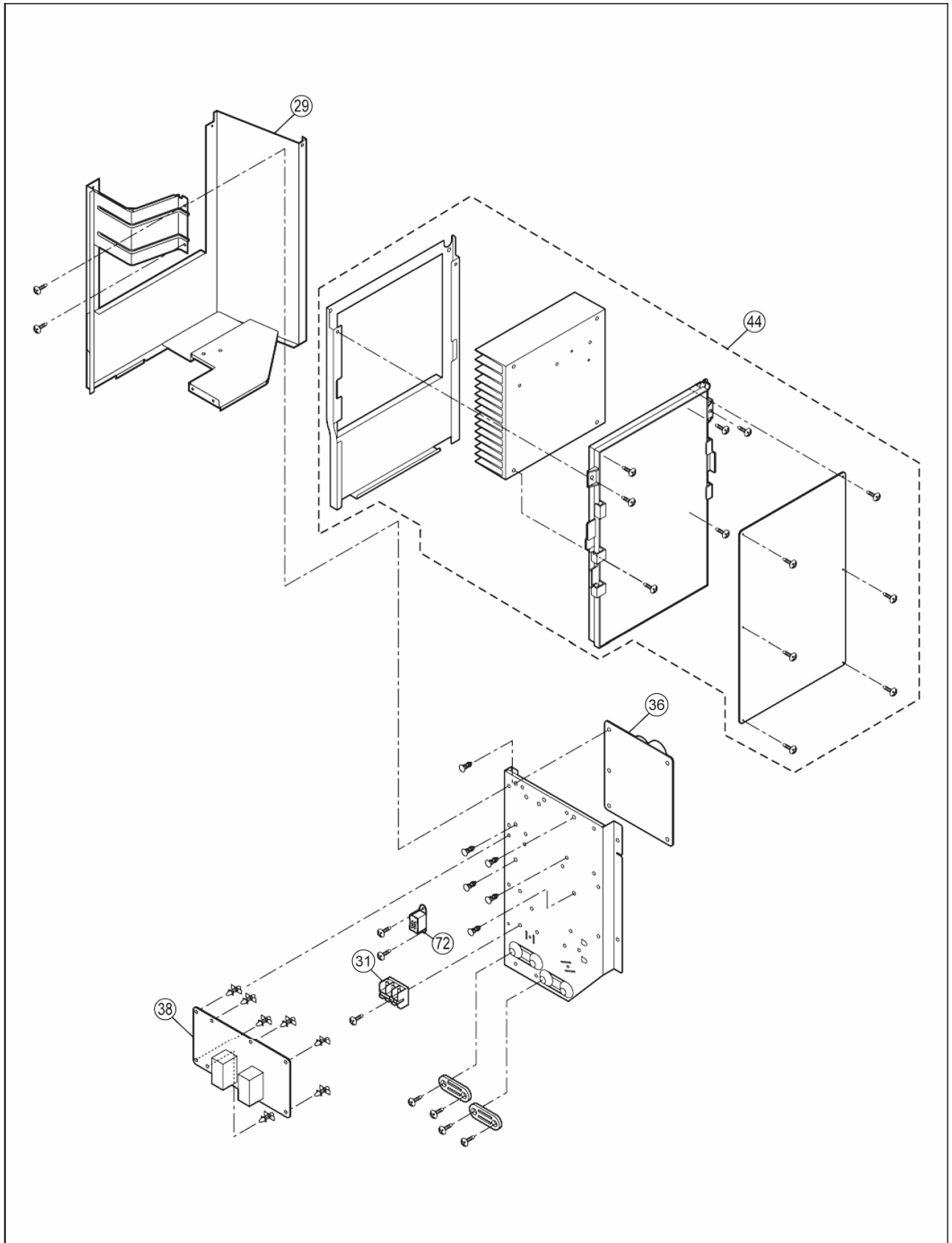


19. Exploded View and Replacement Parts List

19.1 WH-MDF06E3E5 WH-MDF09E3E5 (Refrigerant System)







Note:

- The above exploded view is for the purpose of parts disassembly and replacement.
- The non-numbered parts are not kept as standard service parts.

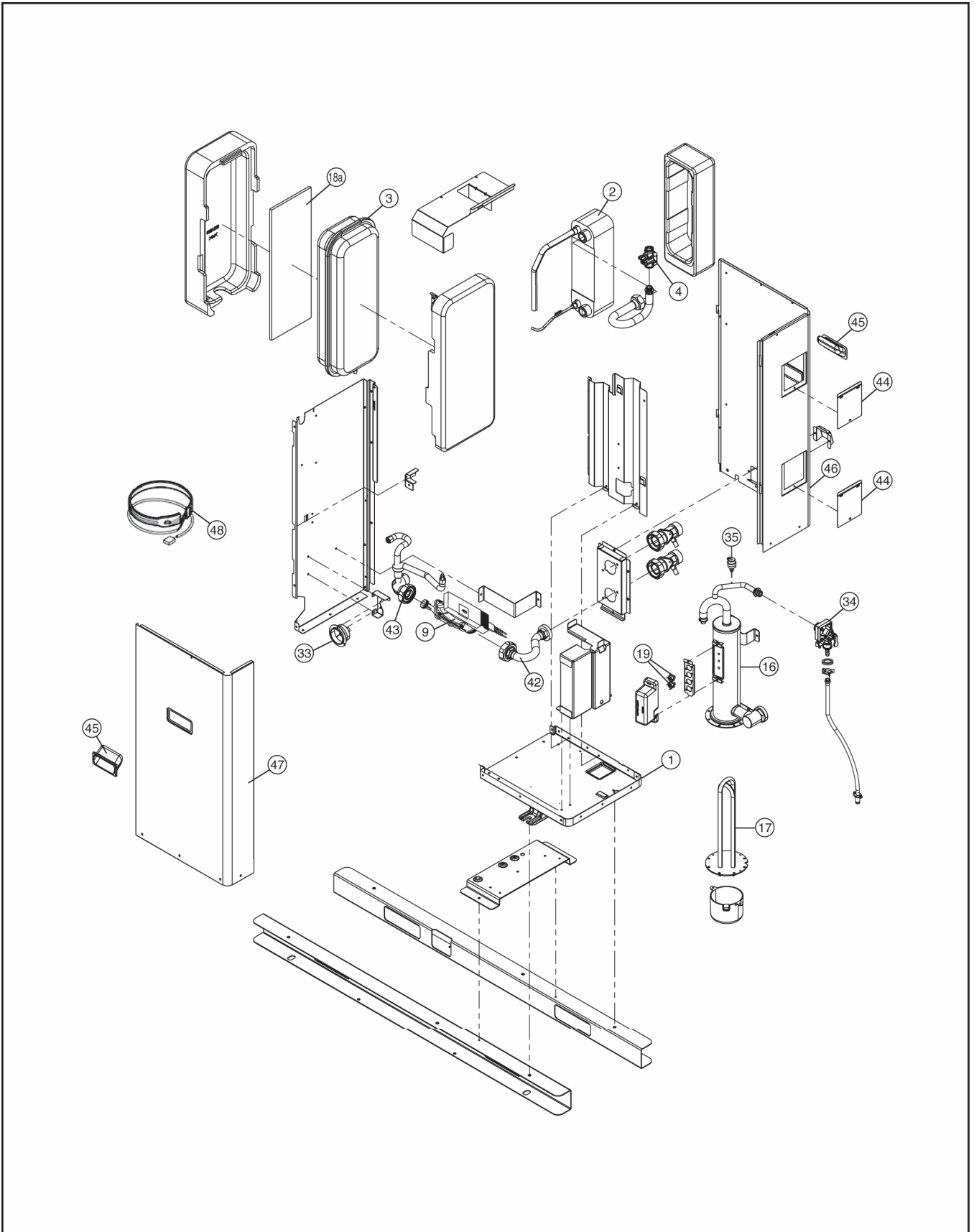
< Model: Refrigerant System >

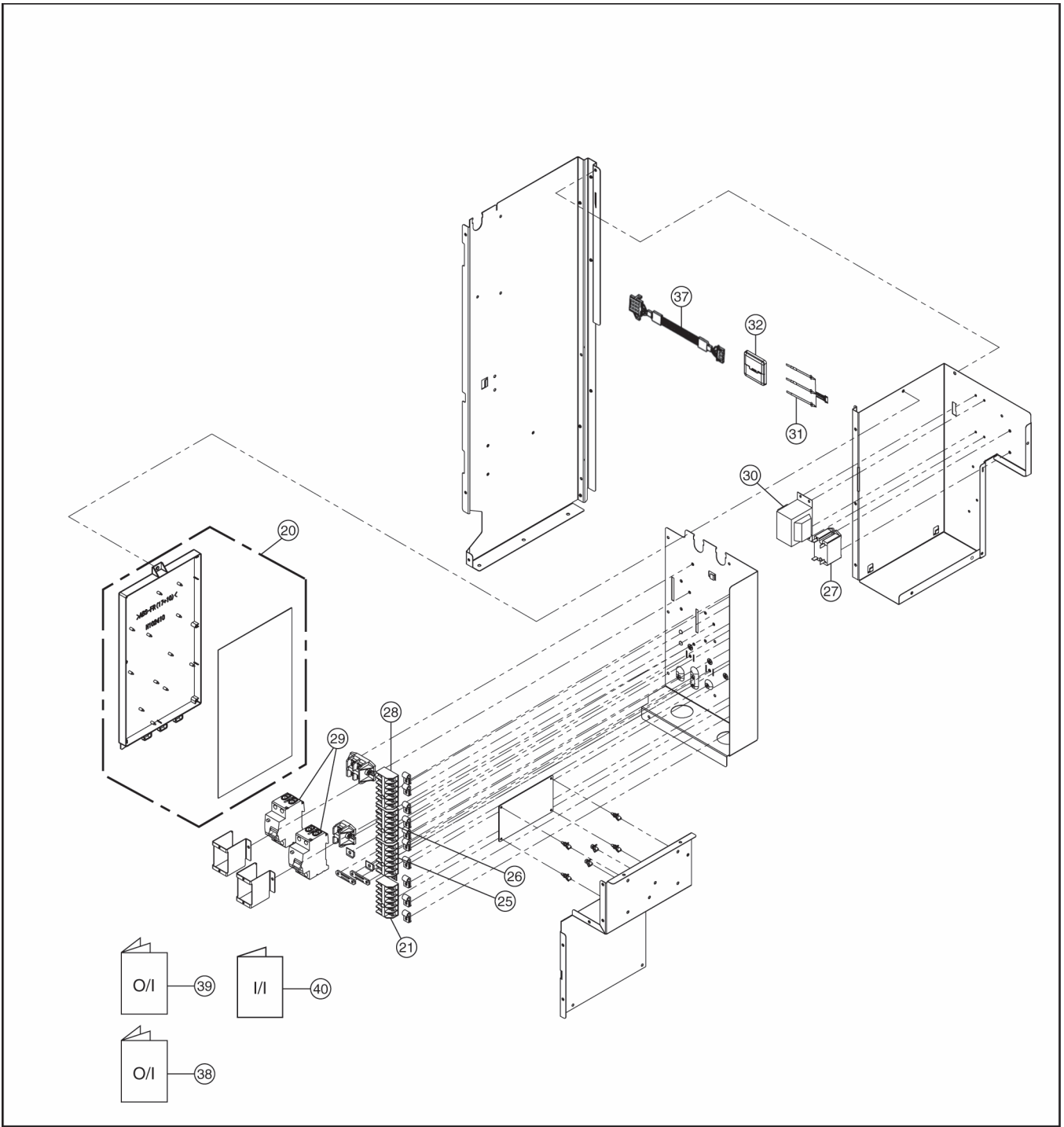
REF. NO.	DESCRIPTION & NAME	QTY.	WH-MDF06E3E5	WH-MDF09E3E5	REMARK
1	BASE PAN ASS'Y	1	CWD52K1282	←	
2	COMPRESSOR	1	5KD240XCC21	←	O
3	BUSHING - COMPRESSOR MOUNT	3	CWH50055	←	
4	NUT-COMPRESSOR MOUNT	3	CWH561049	←	
4a	GASKET FOR TERMINAL COVER	3	CWB811017	←	
5	CRANKCASE HEATER	1	CWA341043	←	
6	CONDENSER COMPLETE	1	CWB32C2846	←	
7	HIGH PRESSURE SENSOR	1	CWA50C2570	←	O
8	DISCHARGE MUFFLER	1	CWB121013	←	
9	PRESSURE SWITCH	1	CWA101013	←	O
10	3-WAYS VALVE (GAS)	1	CWB011700	←	O
11	4-WAYS VALVE	1	CWB001026J	←	O
12	2-WAYS VALVE (LIQUID)	1	CWB011698	←	
13	STRAINER	2	CWB111024	←	
20	SOUND PROOF MATERIAL	1	CWG302683	←	
21	SOUND PROOF MATERIAL	1	CWG302246	←	
22	SOUND PROOF BOARD	1	CWH151195	←	
23	V-COIL COMPLETE - 4-WAY VALVE	1	CWA43C2169J	←	O
24	V-COIL COMPLETE - EXP.VALVE	1	CWA43C2342	←	O
25	SENSOR-COMPLETE	1	CWA50C2652	←	O
26	SENSOR-COMP.DISCHARGE	1	CWA50C2528	←	O
27	SENSOR-COMP.TANK	1	CWA50C2665	←	O
28	CABINET REAR PLATE-COMPLETE	1	CWE02C1062	←	
29	CONTROL BOARD CASING	1	CWH10K1150	←	
31	TERMINAL BOARD ASS'Y	1	CWA28K1251	←	O
36	ELECTRONIC CONTROLLER-CAPACITOR	1	CWA746184	←	O
38	ELECTRONIC CONTROLLER-NOISE FILTER	1	CWA745745	←	
44	ELECTRONIC CONTROLLER (MAIN)	1	CWA73C7077R	CWA73C7078R	O
46	REACTOR	2	G0C592J00005	←	O
48	TERMINAL COVER	1	CWH171039A	←	
49	NUT-TERMINAL COVER	1	CWH7080300J	←	
50	FAN MOTOR BRACKET	1	CWD54K1052	←	
50a	SCREW-FAN MOTOR BRACKET	2	CWH551040J	←	
53	FAN MOTOR	1	EHDS80C60AC	←	O
54a	SCREW-FAN MOTOR MOUNT	4	CWH551323	←	
55	PROPELLER FAN ASSY	1	CWH00K1006	←	
56	NUT	1	CWH561092	←	
57	CABINET FRONT PLATE	1	CWE061118A	←	
58	DISCHARGE GRILLE	1	CWE201073	←	
59	CABINET SIDE PLATE ASSY	1	CWE04K1019A	←	
60	WIRE NET	1	CWD041102A	←	
61	CABINET TOP PLATE	1	CWE03C1105	←	
62	ACCESSORY CO.(RUBBER CAP)	1	CWH82C1839	←	
66	CABINET FRONT PLATE	1	CWE06C1359	←	
67	HANDLE	2	CWE161008	←	
68	TUBE ASSY (CAP.TUBE)	1	CWT07K1547	←	
70	EXPANSION VALVE	1	CWB051029	←	O
72	ELECTRO MAGNETIC SWITCH	1	CWA001023	←	O
73	RECEIVER	1	CWB141070	←	
75	ACCESSORY CO. (DRAIN ELBOW)	1	CWG87C2030	←	

Note:

- All parts are supplied from PAPAMY, Malaysia (Vendor Code: 00029488).
- "O" marked parts are recommended to be kept in stock.

**19.2 WH-MDF06E3E5 WH-MDF09E3E5
(Water System)**





Note:

- The above exploded view is for the purpose of parts disassembly and replacement.
- The non-numbered parts are not kept as standard service parts.

< Model: Water System >

REF. NO.	DESCRIPTION & NAME	QTY.	WH-MDF06E3E5	WH-MDF09E3E5	REMARK
1	BASE PAN ASS'Y	1	CWD52K1279	←	
2	HOT WATER COIL-COMPLETE	1	CWB90C1067	←	O
3	RECEIVER	1	CWB141066	←	
4	FLOW SWITCH	1	CWB621034	←	
9	PUMP	1	CWB532108	←	O
16	BOTTLE COMP.	1	CWH90C0035	←	
17	HEATER ASS'Y	1	CWA34K1026	←	
18a	SOUND PROOF MATERIAL	1	CWG302649	←	
19	THERMOSTAT	2	CWA151065	←	O
20	ELECTRONIC CONTROLLER (MAIN)	1	CWA73C7074R	CWA73C7075R	O
21	TERMINAL BOARD ASS'Y-VALVE	1	CWA28K1229	←	O
25	TERMINAL BOARD ASS'Y-RECEIVER	1	CWA28K1230	←	O
26	TERMINAL BOARD ASS'Y	1	CWA28K1231	←	O
27	MAGNET RELAYS	1	K6C1AYY00004	←	O
28	TERMINAL BOARD ASS'Y-SOLAR	1	CWA28K1232	←	O
29	CIRCUIT BREAKER	2	CWA181005	←	O
30	TRANSFORMER-COMPLETE	1	CWA40C1096	←	O
31	SENSOR-COMPLETE	1	CWA50C2816	←	O
32	REMOTE CONTROL COMPLETE	1	CWA75C4024	←	O
33	PRESSURE GAUGE	1	CWB070001	←	O
34	PRESSURE RELIEF VALVE	1	CWB621092	←	
35	PRESSURE RELIEF VALVE	1	CWB621094	←	
37	REMOTE CONTROL CABLE	1	CWA221090	←	
38	OPERATING INSTRUCTION	1	CWF568869	←	
39	OPERATING INSTRUCTION	1	CWF568870	←	
40	INSTALLATION INSTRUCTION	1	CWF615590	←	
42	TUBE CONNECTOR-COMPLETE	1	CWT029061	←	
43	TUBE CONNECTOR-COMPLETE	1	CWT01C6323	←	
44	CONTROL BOARD COVER	2	CWH131420A	←	
45	HANDLE	2	CWE161008	←	
46	CABINET SIDE PLATE ASS'Y	1	CWE041665A	←	
47	CABINET FRONT PLATE	1	CWE061293A	←	
48	HEATER	1	CWA341071	←	

Note:

- All parts are supplied from PAPAMY, Malaysia (Vendor Code: 00029488).
- "O" marked parts are recommended to be kept in stock.