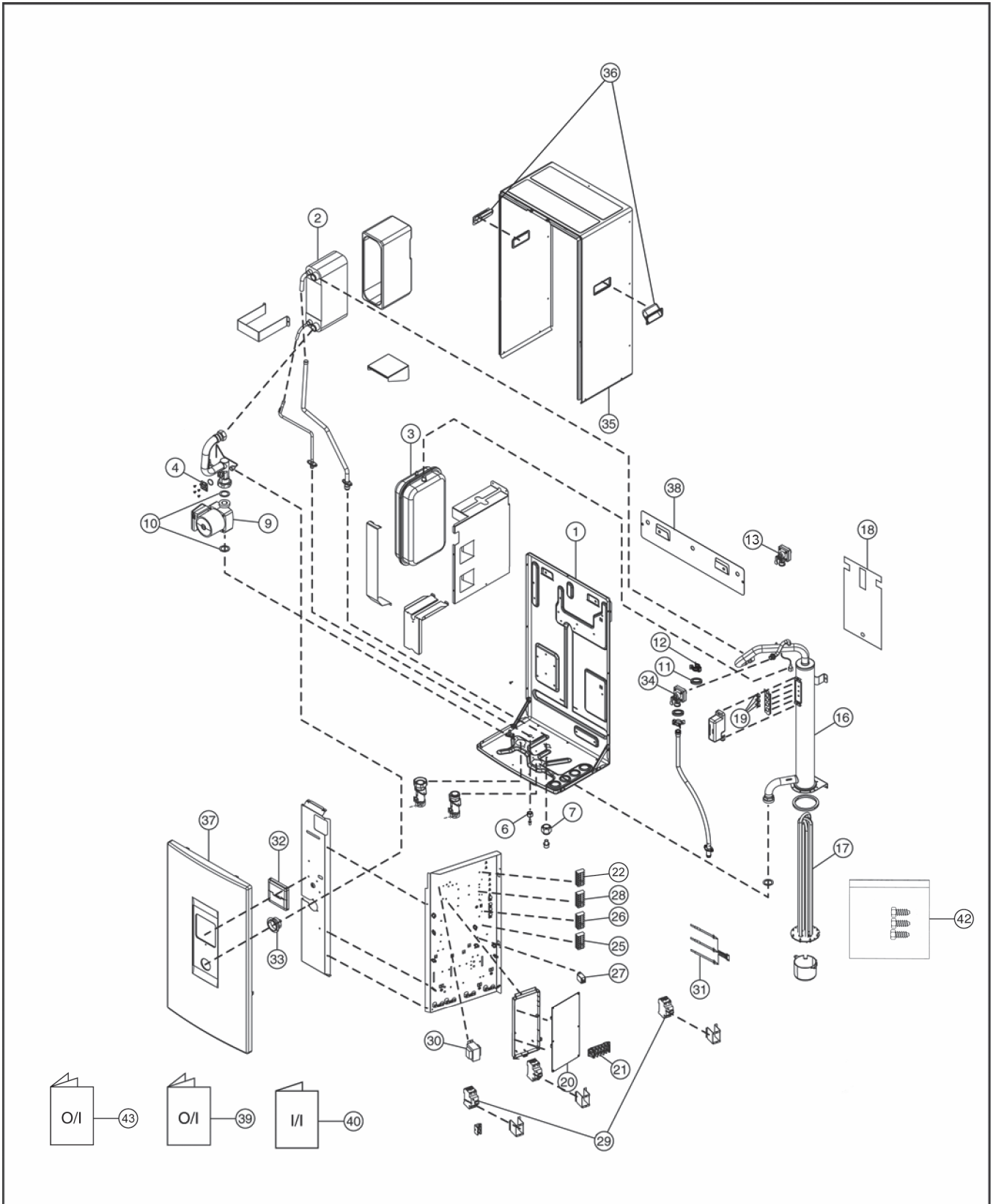


# 19. Exploded View and Replacement Parts List

## 19.1 Indoor Unit



**Note:**

- The above exploded view is for the purpose of parts disassembly and replacement.
- The non-numbered parts are not kept as standard service parts.

<Model: WH-SDC03E3E5 WH-SDC05E3E5>

REF. NO.	DESCRIPTION & NAME	QTY.	WH-SDC03E3E5	WH-SDC05E3E5	REMARK
1	BASE PAN	1	CWD521279	←	
2	HOT WATER COIL-COMplete	1	CWB90C1090	←	
3	RECEIVER	1	CWB141039	←	
4	FLOAT (FLOW SWITCH)	1	CWB621034	←	
6	FLARE NUT (7/8)	1	CWT251032	←	
7	FLARE NUT (5/8)	1	CWT251063	←	
9	PUMP	1	CWB532108	←	
10	PACKING (O-RING) I.D 32mm	2	CWB811082	←	
11	PACKING (O-RING) I.D 13.8mm	2	CWB811022	←	
12	RETAINING RING D:22mm	2	CWH581007	←	
13	VALVE BODY (AIR TO WATER)	1	CWB621092	←	
16	BOTTLE COMPLETE	1	CWH90C0029	←	
17	HEATER ASS'Y	1	CWA34K1026	←	
18	SOUND PROOF MATERIAL	1	CWG302595	←	
19	THERMOSTAT	2	CWA151065	←	O
20	ELECTRONIC CONTROLLER - MAIN	1	CWA73C7032	CWA73C7033	O
21	TERMINAL BOARD ASS'Y	1	CWA28K1217	←	O
22	TERMINAL BOARD ASS'Y	1	CWA28K1232	←	O
25	TERMINAL BOARD ASS'Y	1	CWA28K1229	←	O
26	TERMINAL BOARD ASS'Y	1	CWA28K1230	←	O
27	ELECTRO MAGNETIC SWITCH	1	K6C1AYY00004	←	O
28	TERMINAL BOARD ASS'Y	1	CWA28K1231	←	O
29	RESIDUAL CURRENT CIRCUIT BREAKER	2	K5KYYAY00003	←	O
30	TRANSFORMER - COMPLETE	1	CWA40C1096	←	O
31	SENSOR - COMPLETE	1	CWA50C2762	←	O
32	REMOTE CONTROL COMPLETE	1	CWA75C4018	←	O
33	PRESSURE GAUGE	1	CWB070001	←	O
34	PRESSURE RELIEF VALVE	1	CWB621094	←	
35	CABINET	1	CWE001050A	←	
36	HANDLE	2	CWE161008	←	
37	CABINET FRONT PLATE	1	CWE061265A	←	
38	INSTALLING HOLDER	1	CWH361103A	←	
39	OPERATING INSTRUCTION	1	CWF568783	←	
40	INSTALLATION INSTRUCTION	1	CWF615535	←	
42	ACCESSORY - COMPLETE	1	CWH82C1754	←	
43	OPERATING INSTRUCTION	1	CWF568791	←	

**Note:**

- All parts are supplied from PAPAMY, Malaysia (Vendor Code: 00029488).
- "O" marked parts are recommended to be kept in stock.