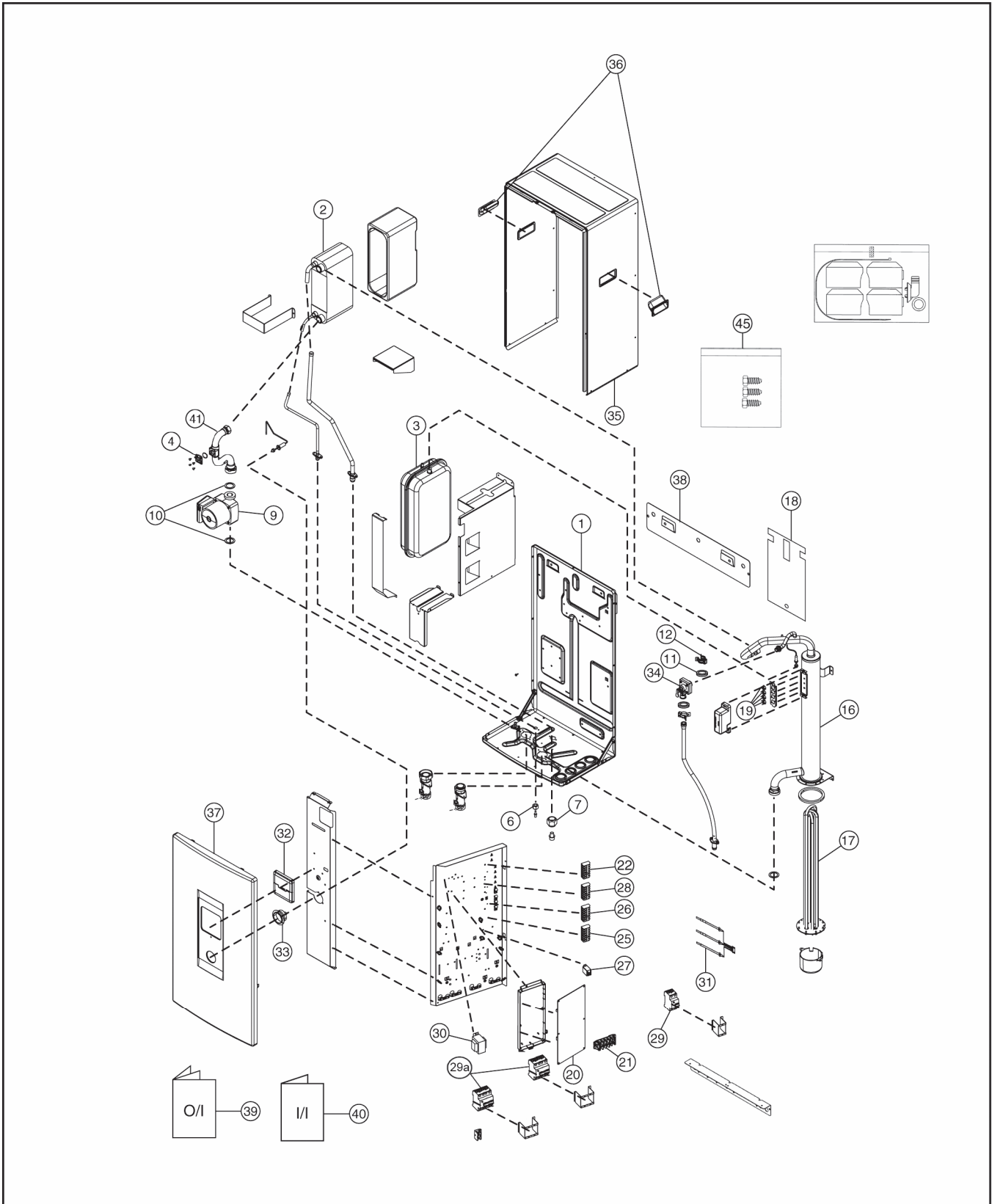


19. Exploded View and Replacement Parts List

19.1 WH-SXC09D3E8 WH-SXC12D9E8



Note:

- The above exploded view is for the purpose of parts disassembly and replacement.
- The non-numbered parts are not kept as standard service parts.

<Model: WH-SXC09D3E8 WH-SXC12D9E8 >

REF. NO.	DESCRIPTION & NAME	QTY.	WH-SXC09D3E8	WH-SXC12D9E8	REMARKS
1	BASE PAN	1	CWD521279	←	
2	HOT WATER COIL-COMPLETE	1	CWB90C1051	←	O
3	RECEIVER	1	CWB141039	←	
4	FLOAT (FLOW SWITCH)	1	CWB601008	←	O
6	FLARE NUT (3/8)	1	CWT251061	←	
7	FLARE NUT (5/8)	1	CWT251064	←	
9	PUMP	1	CWB532096	←	O
10	PACKING (O-RING) I.D 32mm	2	CWB811082	←	
11	PACKING (O-RING) I.D 13.8mm	2	CWB811022	←	
12	RETAINING RING D:22mm	1	CWH581007	←	
16	BOTTLE COMPLETE	1	CWH90C0017	←	
17	HEATER ASS'Y	1	CWA34K1029	CWA34K1030	O
18	SOUND PROOF MATERIAL	1	CWG302575	←	
19	THERMOSTAT	4	CWA151065	←	O
20	ELECTRONIC CONTROLLER-MAIN	1	CWA73C5723	CWA73C5724	O
21	TERMINAL BOARD ASS'Y	1	CWA28K1240	←	
22	TERMINAL BOARD ASS'Y	1	CWA28K1232	←	
25	TERMINAL BOARD ASS'Y	1	CWA28K1229	←	
26	TERMINAL BOARD ASS'Y	1	CWA28K1230	←	
27	ELECTRO MAGNETIC SWITCH	1	K6C1AYY00004	←	O
28	TERMINAL BOARD ASS'Y	1	CWA28K1231	←	
29a	RESIDUAL CURRENT CIRCUIT BREAKER	1/2	CWA181008	←	
29	RESIDUAL CURRENT CIRCUIT BREAKER	1	CWA181005	←	O
30	TRANSFORMER-COMPLETE	1	CWA40C1075	←	O
31	SENSOR-COMPLETE	1	CWA50C2762	←	O
32	REMOTE CONTROL COMPLETE	1	CWA75C3592	←	O
33	PRESSURE GAUGE	1	CWB070001	←	O
34	PRESSURE RELIEF VALVE	1	CWB621011	←	O
35	CABINET	1	CWE001050A	←	
36	HANDLE	2	CWE161008	←	
37	CABINET FRONT PLATE	1	CWE061265A	←	
38	INSTALLING HOLDER	1	CWH361103A	←	
39	OPERATING INSTRUCTION	1	CWF568058	←	
40	INSTALLATION INSTRUCTION	1	CWF614865	←	
41	TUBE CONNECTOR-COMPLETE	1	CWT29C1053	←	
45	ACCESSORY-COMPLETE	1	CWH82C1754	←	

Note:

- All parts are supplied from PHAAM, Malaysia (Vendor Code: 00029488).
- "O" marked parts are recommended to be kept in stock.