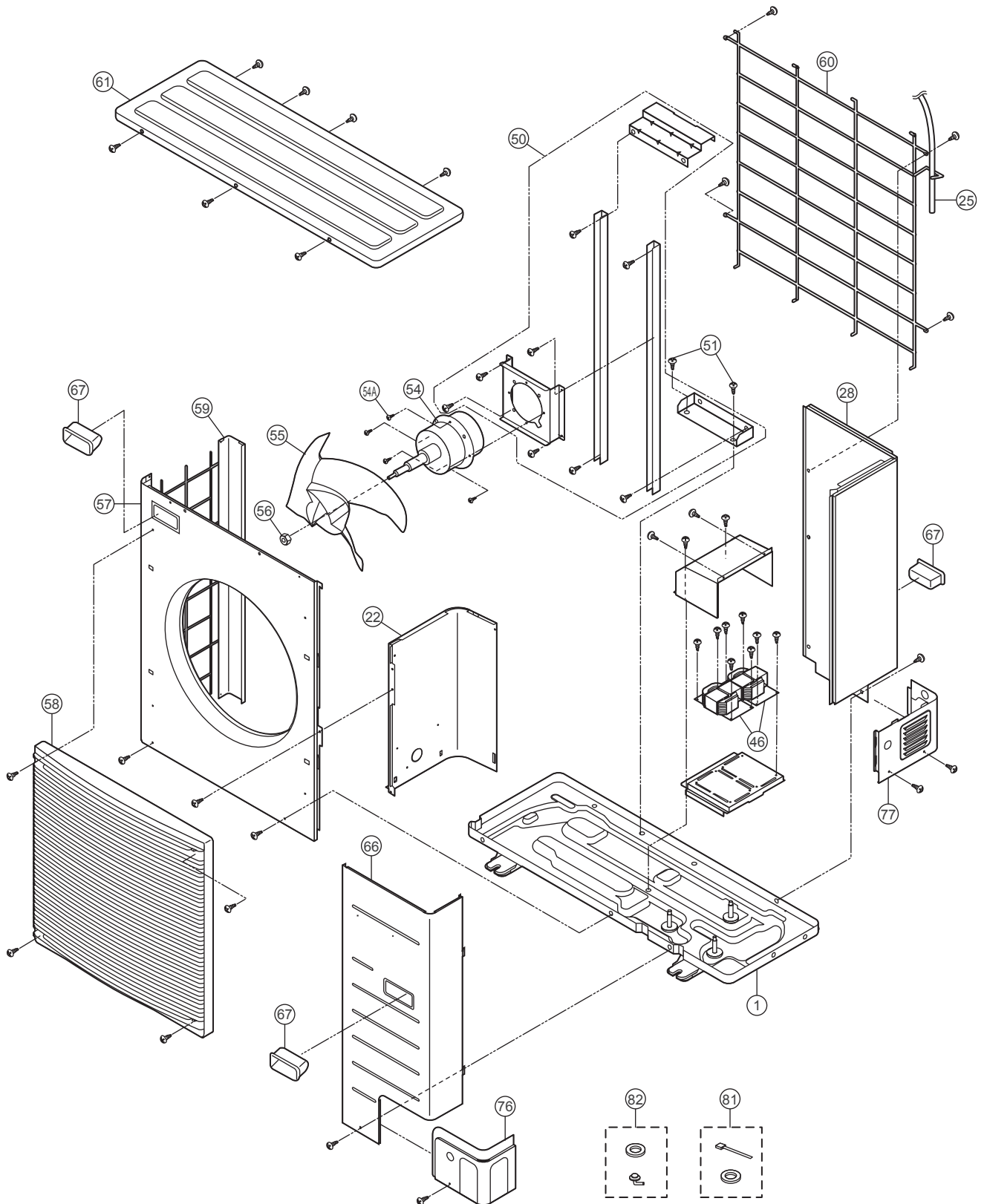
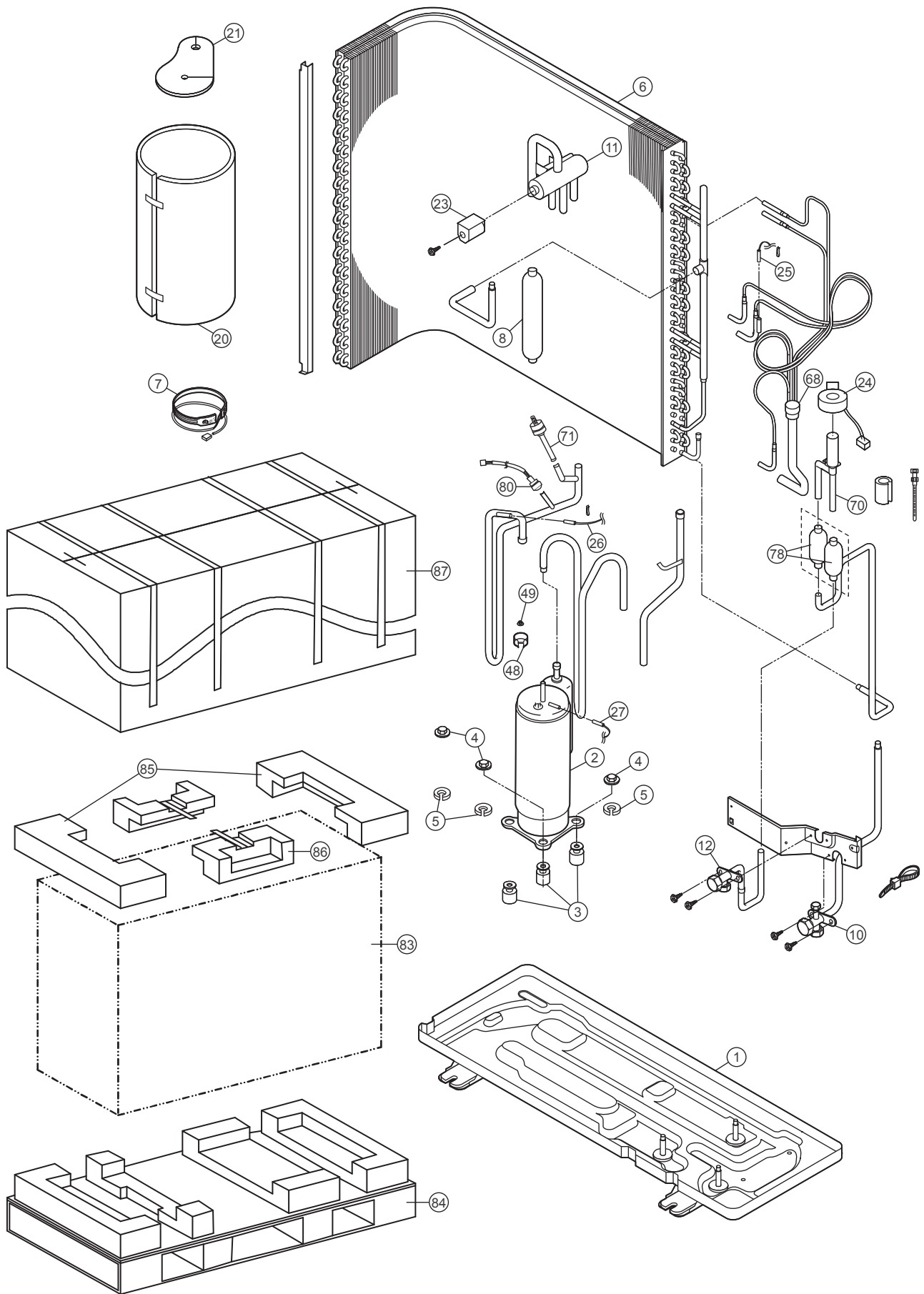


20.2.2 WH-UD07FE5 WH-UD09FE5



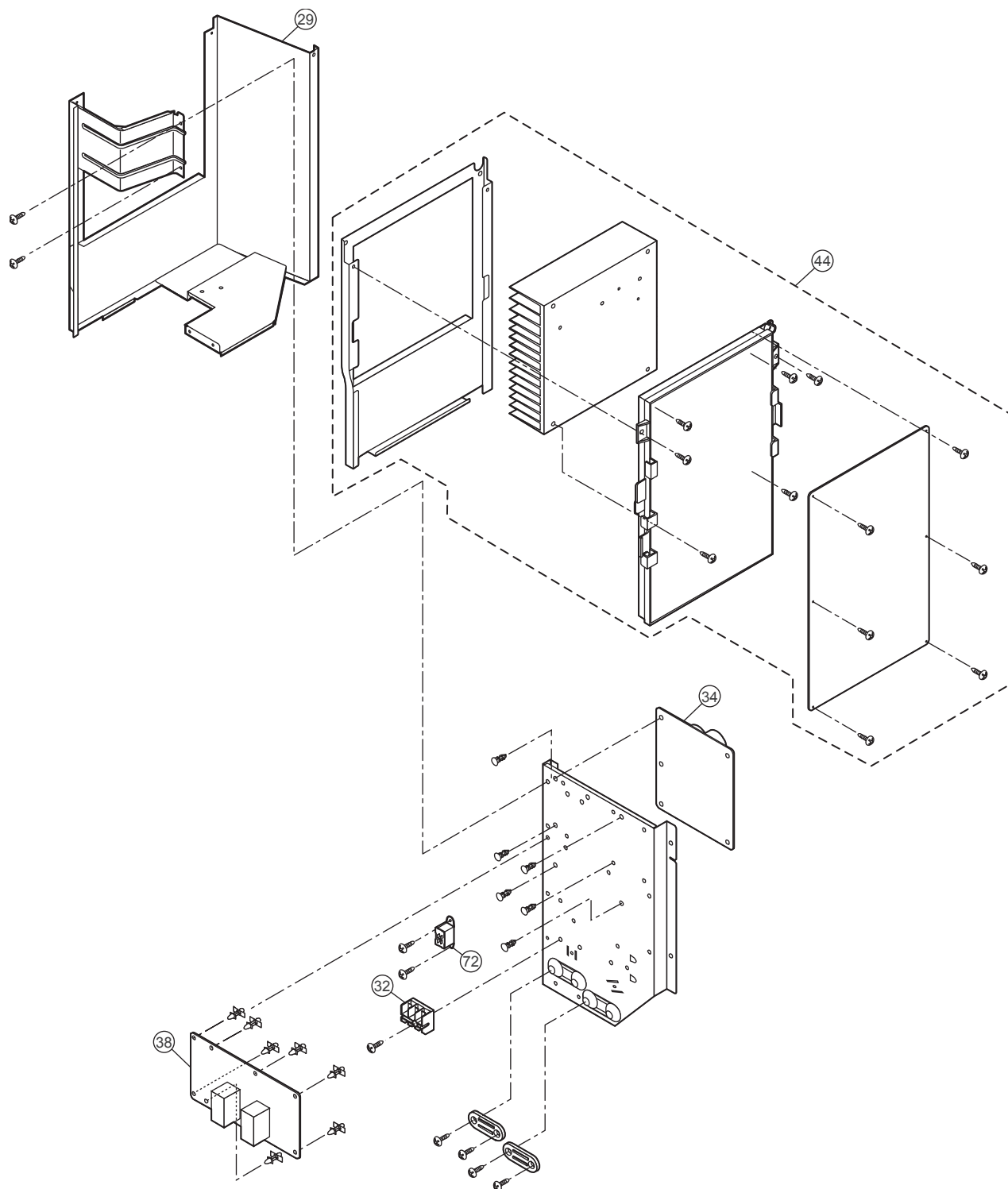
Note:

- The above exploded view is for the purpose of parts disassembly and replacement.
- The non-numbered parts are not kept as standard service parts.



Note:

- The above exploded view is for the purpose of parts disassembly and replacement.
- The non-numbered parts are not kept as standard service parts.



Note:

- The above exploded view is for the purpose of parts disassembly and replacement.
- The non-numbered parts are not kept as standard service parts.

<WH-UD07FE5 WH-UD09FE5>

SAFETY	REF. NO.	DESCRIPTION & NAME	QTY.	WH-UD07FE5	WH-UD09FE5	REMARK
	1	BASE PAN ASS'Y	1	CWD52K1294	←	
⚠	2	COMPRESSOR	1	5KD240XCC21	←	O
	3	BUSHING - COMPRESSOR MOUNT	3	CWH50055	←	
	4	NUT - COMPRESSOR MOUNT	3	CWH561049	←	
	5	GASKET FOR TERMINAL COVER	3	CWB811017	←	
	6	CONDENSER COMPLETE	1	CWB32C2846	←	
	7	CRANKCASE HEATER	1	CWA341043	←	
	8	DISCHARGE MUFFLER	1	CWB121013	←	
	10	3-WAYS VALVE (GAS)	1	CWB011251	←	O
	11	4-WAYS VALVE	1	CWB001026J	←	O
	12	2-WAYS VALVE (LIQUID)	1	CWB021330	←	O
	20	SOUND PROOF MATERIAL	1	CWG302678	←	
	21	SOUND PROOF MATERIAL	1	CWG302246	←	
	22	SOUND PROOF BOARD	1	CWH151195	←	
⚠	23	V-COIL COMPLETE (4-WAY VALVE)	1	CWA43C2169J	←	O
⚠	24	V-COIL COMPLETE (EXPANSION VALVE)	1	CWA43C2342	←	O
	25	SENSOR - CO. (OUTDOOR PIPE TEMP)	1	CWA50C2652	←	O
	26	SENSOR - CO. (DISCHARGE TEMP)	1	CWA50C2528	←	O
	27	SENSOR - CO. (COMP TEMP)	1	CWA50C2665	←	O
	28	CABINET REAR PLATE- COMPLETE	1	CWE02C1058	←	
	29	CONTROL BOARD CASING	1	CWH10K1150	←	
⚠	32	TERMINAL BOARD ASS'Y	1	CWA28K1198	←	O
⚠	34	ELECTRONIC CONTROLLER - CAPACITOR	1	CWA746184	←	O
⚠	38	ELECTRONIC CONTROLLER - NF	1	CWA747839	←	O
⚠	44	ELECTRONIC CONTROLLER - MAIN	1	CWA73C8546R	CWA73C8547R	O
⚠	46	REACTOR	2	G0C592J00005	←	O
	48	TERMINAL COVER	1	CWH171039A	←	
	49	NUT - TERMINAL COVER	1	CWH7080300J	←	
	50	FAN MOTOR BRACKET	1	CWD54K1052	←	
	51	SCREW - FAN MOTOR BRACKET	2	CWH551040J	←	
⚠	54	FAN MOTOR	1	EHDS80C60AC	←	O
	54A	SCREW - FAN MOTOR MOUNT	4	CWH551323	←	
	55	PROPELLER FAN ASSY	1	CWH00K1006	←	
	56	NUT	1	CWH561092	←	
	57	CABINET FRONT PLATE	1	CWE061118A	←	
	58	DISCHARGE GRILLE	1	CWE201073	←	
	59	CABINET SIDE PLATE ASSY	1	CWE04K1019A	←	
	60	WIRE NET	1	CWD041102A	←	
	61	CABINET TOP PLATE CO.	1	CWE03C1095	←	
	66	CABINET FRONT PLATE CO.	1	CWE06C1245	←	
	67	HANDLE	3	CWE161008	←	
	68	TUBE ASSY (CAP. TUBE)	1	CWT07K1547	←	
	70	EXPANSION VALVE	1	CWB051029	←	O
	71	HIGH PRESSURE SWITCH	1	CWA101013	←	O
	72	ELECTRO MAGNETIC SWITCH	1	CWA001023	←	O
	76	PIPE COVER (FRONT)	1	CWD601074A	←	
	77	PIPE COVER (BACK)	1	CWD601075A	←	
	78	STRAINER	2	CWB111024	←	
	80	HIGH PRESSURE SENSOR (CN-HPS)	1	CWA501463	←	
	81	ACCESSORY - COMPLETE	1	CWH82C1839	←	
	82	ACCESSORY CO. (DRAIN ELBOW)	1	CWG87C900	←	

SAFETY	REF. NO.	DESCRIPTION & NAME	QTY.	WH-UD07FE5	WH-UD09FE5	REMARK
	83	BAG	1	CWG86394	←	
	84	BASE BOARD - COMPLETE	1	CWG62C1086	←	
	85	SHOCK ABSORBER	2	CWG712852	←	
	86	SHOCK ABSORBER	1	CWG712854	←	
	87	C.C.CASE	1	CWG568055	←	

Note:

- All parts are supplied from PAPAMY, Malaysia (Vendor Code: 00029488).
- “O” marked parts are recommended to be kept in stock.