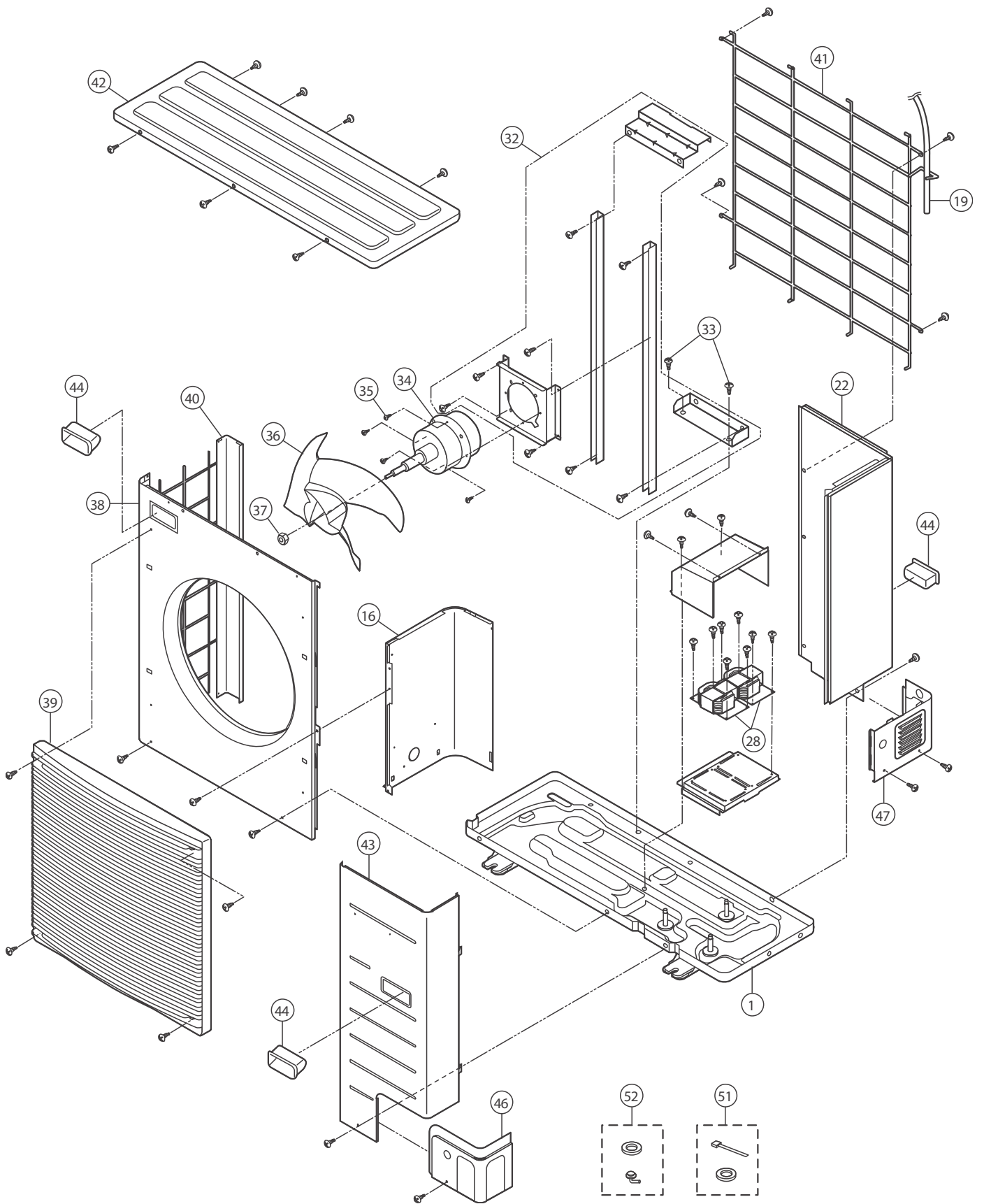
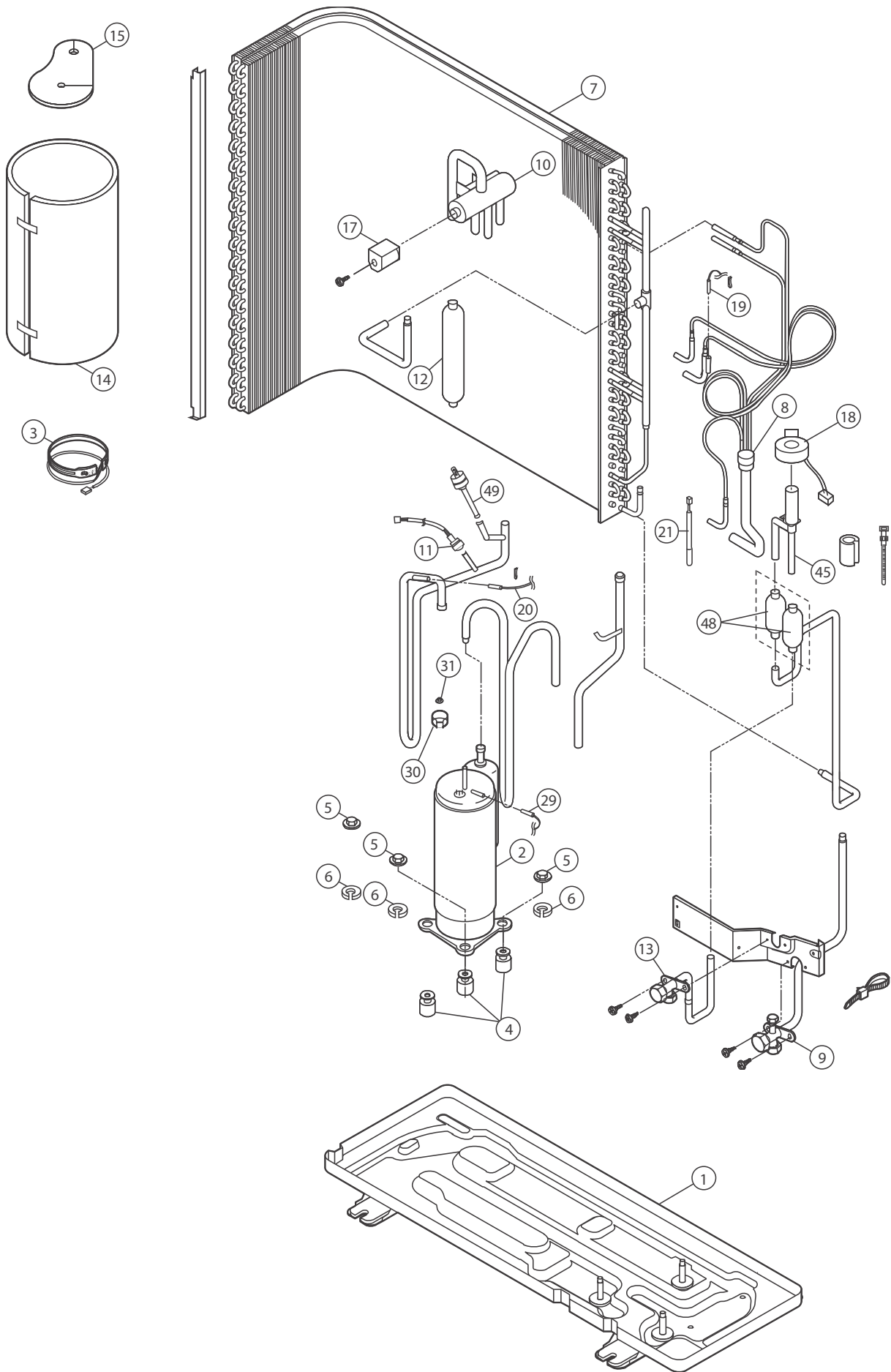


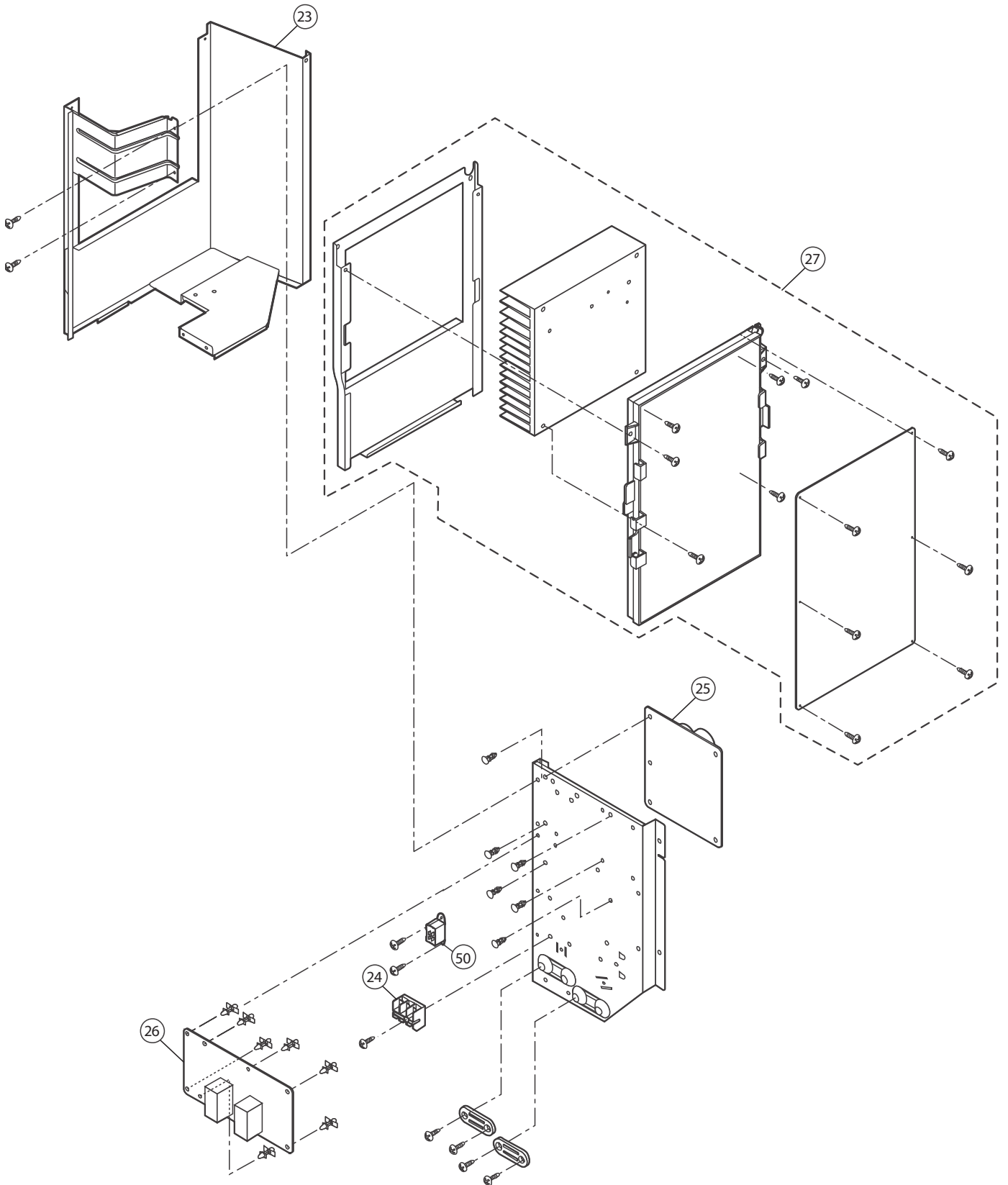
20.2.2 WH-UD07HE5-1 WH-UD09HE5-1



Note:
 The above exploded view is for the purpose of parts disassembly and replacement.
 The non-numbered parts are not kept as standard service parts.



Note:
 The above exploded view is for the purpose of parts disassembly and replacement.
 The non-numbered parts are not kept as standard service parts.



Note:
 The above exploded view is for the purpose of parts disassembly and replacement.
 The non-numbered parts are not kept as standard service parts.

<Model: WH-UD07HE5-1 WH-UD09HE5-1>

SAFETY	REF. NO.	DESCRIPTION & NAME	QTY.	WH-UD07HE5-1	WH-UD09HE5-1	REMARK
	1	BASE PAN ASS'Y	1	CWD52K1294	←	
⚠	2	COMPRESSOR	1	5KD240XCC21	←	O
	3	CRANKCASE HEATER	1	CWA341043	←	
	4	BUSHING - COMPRESSOR MOUNT	3	CWH50055	←	
	5	NUT - COMPRESSOR MOUNT	3	CWH561049	←	
	6	GASKET FOR TERMINAL COVER	3	CWB811017	←	
	7	CONDENSER COMPLETE	1	CWB32C2846	←	
	8	TUBE ASSY (CAP. TUBE)	1	CWT07K1547	←	
	9	3 - WAYS VALVE (GAS)	1	CWB011251	←	O
	10	4 - WAYS VALVE	1	CWB001026J	←	O
	11	HIGH PRESSURE SENSOR (CN-HPS)	1	CWA501463	←	
	12	DISCHARGE MUFFLER	1	CWB121013	←	
	13	2 - WAYS VALVE	1	CWB021330	←	O
	14	SOUND PROOF MATERIAL	1	ACXG30-00620	←	
	15	SOUND PROOF MATERIAL	1	CWG302246	←	
	16	SOUND PROOF BOARD	1	CWH151429	←	
⚠	17	V - COIL COMPLETE (4 - WAY VALVE)	1	CWA43C2169J	←	O
⚠	18	V - COIL COMPLETE (EXPANSION VALVE)	1	CWA43C2342	←	O
	19	SENSOR - CO. (OUTDOOR PIPE TEMP)	1	CWA50C2652	←	O
	20	SENSOR - CO. (DISCHARGE TEMP)	1	CWA50C2528	←	O
	21	SENSOR - CO. (EVA EXIT TEMP)	1	CWA50C3379	←	O
	22	CABINET REAR PLATE - COMPLETE	1	ACXE02C00010	←	
	23	CONTROL BOARD CASING	1	CWH10K1150	←	
⚠	24	TERMINAL BOARD ASS'Y	1	CWA28K1198	←	O
⚠	25	ELECTRONIC CONTROLLER - CAPACITOR	1	CWA746184	←	O
⚠	26	ELECTRONIC CONTROLLER - NF	1	CWA747839	←	O
⚠	27	ELECTRONIC CONTROLLER (MAIN)	1	ACXA73C07730R	ACXA73C07740R	O
⚠	28	REACTOR	2	G0C592J00005	←	O
	29	SENSOR - CO. (COMP TEMP)	1	CWA50C2665	←	O
	30	TERMINAL COVER	1	CWH171039A	←	
	31	NUT - TERMINAL COVER	1	CWH7080300J	←	
	32	FAN MOTOR BRACKET	1	CWD54K1052	←	
	33	SCREW - FAN MOTOR BRACKET	2	CWH551040J	←	
⚠	34	FAN MOTOR	1	EHDS80C60AC	←	O
	35	SCREW - FAN MOTOR MOUNT	4	CWH551323	←	
	36	PROPELLER FAN ASSY	1	CWH00K1006	←	
	37	NUT	1	CWH561092	←	
	38	CABINET FRONT PLATE	1	CWE061118A	←	
	39	DISCHARGE GRILLE	1	CWE201073	←	
	40	CABINET SIDE PLATE ASSY	1	CWE04K1019A	←	

SAFETY	REF. NO.	DESCRIPTION & NAME	QTY.	WH-UD07HE5-1	WH-UD09HE5-1	REMARK
	42	CABINET TOP PLATE CO.	1	CWE03C1095	←	
	43	CABINET FRONT PLATE CO.	1	CWE06C1245	←	
	44	HANDLE	3	CWE161008	←	
	45	EXPANSION VALVE	1	CWB051029	←	O
	46	PIPE COVER (FRONT)	1	CWD601074A	←	
	47	PIPE COVER (BACK)	1	CWD601075A	←	
	48	STRAINER	2	CWB111024	←	
	49	HIGH PRESSURE SWITCH	1	CWA101013	←	O
	50	ELECTRO MAGNETIC SWITCH	1	CWA001023	←	O
	51	ACCESSORY - COMPLETE	1	CWH82C1839	←	
	52	ACCESSORY CO. (DRAIN ELBOW)	1	CWG87C900	←	

Note:

- All parts are supplied from PAPAMY, Malaysia (Vendor Code: 00029488).
- "O" marked parts are recommended to be kept in stock.