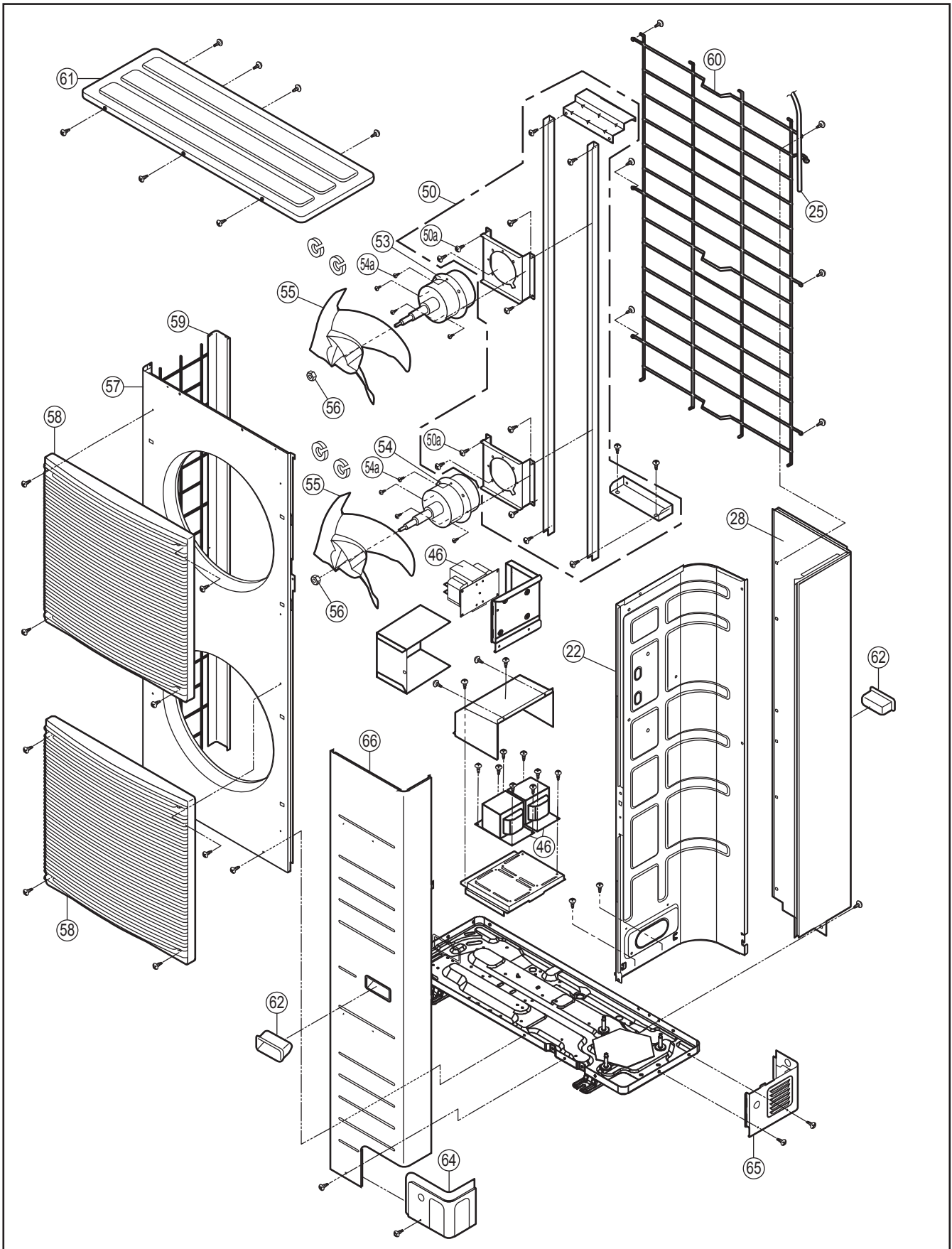
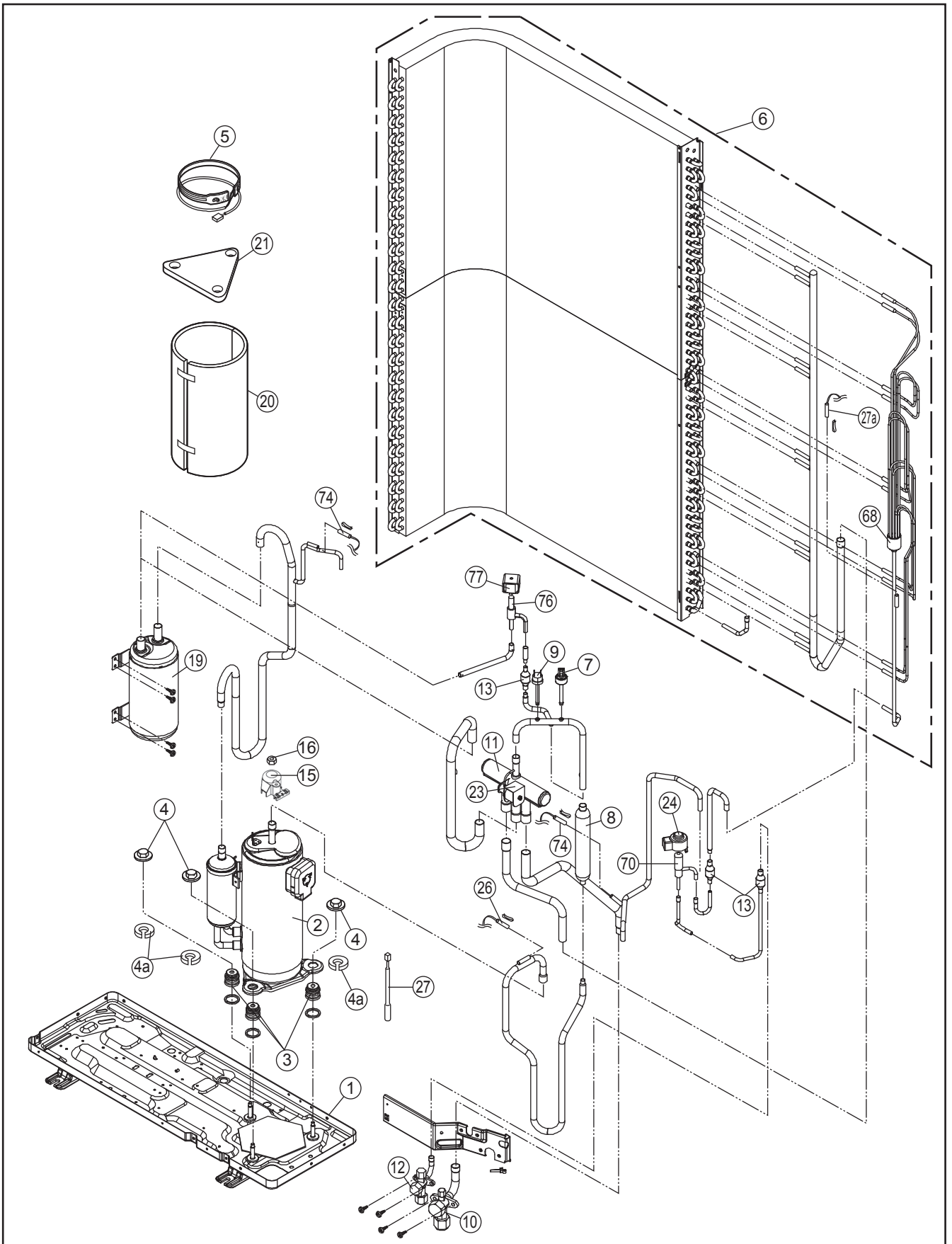


## 20.2 Outdoor Unit



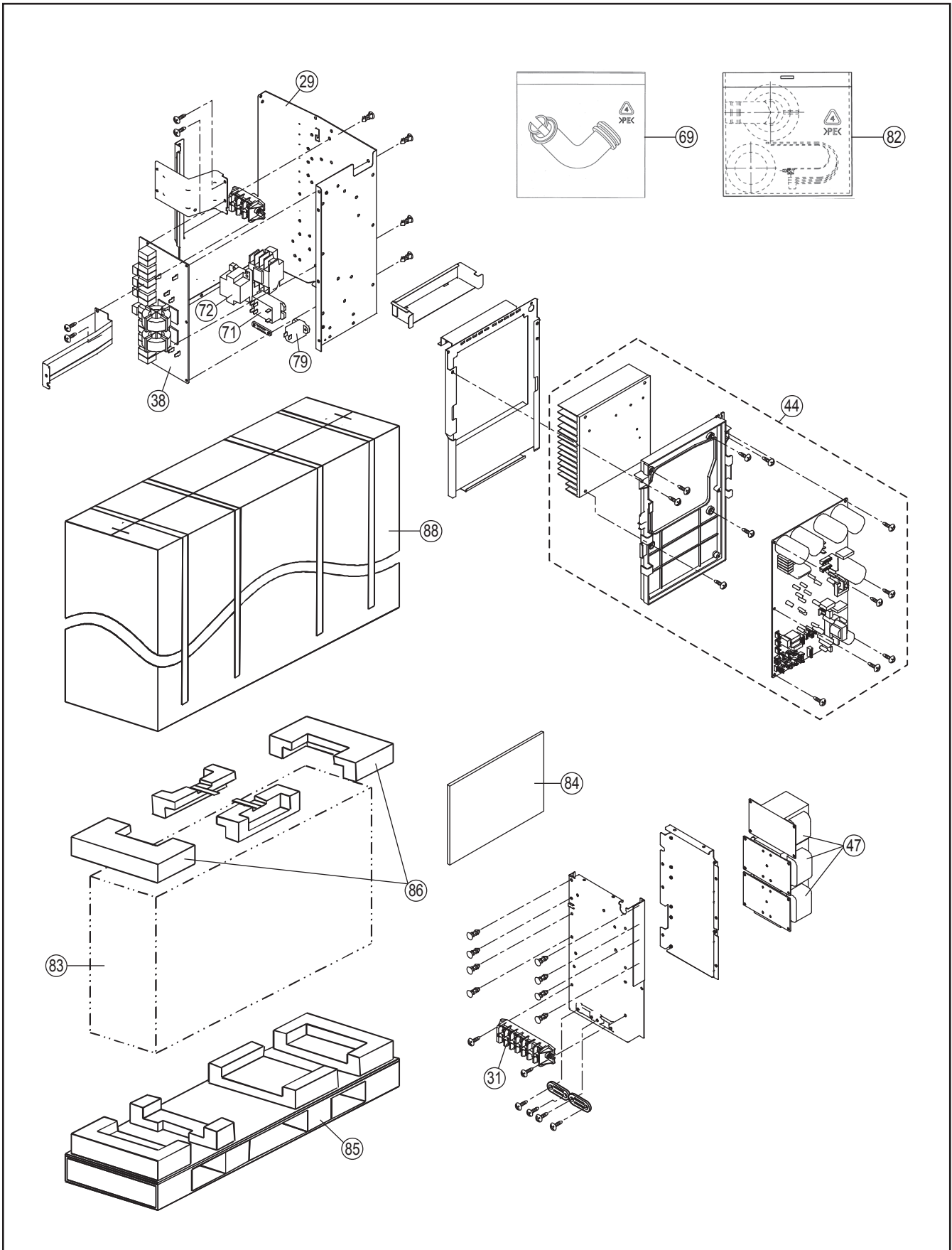
**Note:**

- The above exploded view is for the purpose of parts disassembly and replacement.
- The non-numbered parts are not kept as standard service parts.



**Note:**

- The above exploded view is for the purpose of parts disassembly and replacement.
- The non-numbered parts are not kept as standard service parts.




**Note:**

- The above exploded view is for the purpose of parts disassembly and replacement.
- The non-numbered parts are not kept as standard service parts.

<Model: WH-UD09FE8 WH-UD12FE8>

SAFETY	REF. NO.	DESCRIPTION & NAME	QTY.	WH-UD09FE8	WH-UD12FE8	REMARK
	1	BASE PAN ASS'Y	1	CWD52K1275	←	
	2	COMPRESSOR	1	5JD420XBA22	←	O
	3	BUSHING - COMPRESSOR MOUNT	3	CWH50055	←	
	4	NUT - COMPRESSOR MOUNT	3	CWH561049	←	
	4a	GASKET FOR TERMINAL COVER	3	CWB811017	←	
	5	CRANKCASE HEATER	1	CWA341053	←	
	6	CONDENSER COMPLETE	1	CWB32C3986	←	
	7	HIGH PRESSURE SENSOR	1	CWA501463	←	O
	8	DISCHARGE MUFFLER	1	CWB121014	←	
	9	PRESSURE SWITCH	1	CWA101007	←	
	10	3-WAYS VALVE (GAS)	1	CWB011251	←	O
	11	4-WAYS VALVE	1	CWB001046	←	O
	12	3-WAYS VALVE	1	CWB011292	←	O
	13	STRAINER	3	CWB111032	←	
	15	TERMINAL COVER	1	CWH171039A	←	
	16	NUT - TERMINAL COVER	1	CWH7080300J	←	
	19	ACCUMULATOR	1	CWB131026A	←	
	20	SOUND PROOF MATERIAL	1	CWG302881	←	
	21	SOUND PROOF MATERIAL	1	CWG302266	←	
	22	SOUND PROOF BOARD	1	CWH15K1031	←	
	23	V-COIL COMPLETE (4-WAY VALVE)	1	CWA43C2169J	←	O
	24	V-COIL COMPLETE (MAIN)	1	CWA43C2602	←	O
	25	SENSOR - COMP. (OUTLET TEMP - TH1)	1	CWA50C2730	←	O
	26	SENSOR - COMP. (DISCHARGE TEMP - CN-DIS)	1	CWA50C2576	←	O
	27	SENSOR - COMPLETE - COM TANK (CN-TANK)	1	CWA50C2629	←	O
	27a	SENSOR - COMP. DEFROST TEMP (TH2)	1	CWA50C2577	←	O
	28	CABINET REAR PLATE - COMPLETE	1	CWE02C1059	←	
	29	CONTROL BOARD CASING	1	CWH10K1049	←	
	31	TERMINAL BOARD ASS'Y	1	CWA28K1214	←	O
	38	ELECTRONIC CONTROLLER - NF	1	CWA747838	←	O
	44	ELECTRONIC CONTROLLER - MAIN	1	CWA73C8538R	CWA73C8539R	O
	46	REACTOR (P1)	3	G0C293J00001	←	O
	47	REACTOR (P2)	3	G0C153J00009	←	O
	50	FAN MOTOR BRACKET	1	CWD54K1084	←	
	50a	SCREW - FAN MOTOR BRACKET	8	CWH551040J	←	
	53	FAN MOTOR (UPPER)	1	EHDS83CAC	←	O
	54	FAN MOTOR (BOTTOM)	1	EHDS83DAC	←	O
	54a	SCREW - FAN MOTOR MOUNT	8	CWH551323	←	
	55	PROPELLER FAN ASSY	2	CWH00K1006	←	
	56	NUT	2	CWH561092	←	
	57	CABINET FRONT PLATE	1	CWE061098A	←	
	58	DISCHARGE GRILLE	2	CWE201073	←	
	59	CABINET SIDE PLATE ASSY	1	CWE04K1023A	←	
	60	WIRE NET	1	CWD041103A	←	
	61	CABINET TOP PLATE CO.	1	CWE03C1096	←	
	62	HANDLE	2	CWE161008	←	
	64	PIPE COVER (FRONT)	1	CWD601074A	←	
	65	PIPE COVER (BACK)	1	CWD601075A	←	
	66	CABINET FRONT PLATE CO.	1	CWE06C1091	←	
	68	TUBE ASSY (CAP.TUBE)	1	CWT07K1606	←	
	69	ACCESSORY CO. (DRAIN ELBOW)	1	CWG87C900	←	
	70	EXPANSION VALVE	1	CWB051049	←	
	71	ELECTRO MAGNETIC SWITCH	1	K6C2AGA00002	←	O


SAFETY	REF. NO.	DESCRIPTION & NAME	QTY.	WH-UD09FE8	WH-UD12FE8	REMARK
	72	ELECTRO MAGNETIC SWITCH	1	K6C4E8A00001	←	O
	74	SENSOR - COMP. (CN-TH3)	1	CWA50C3204	←	O
	76	2-WAYS VALVE	1	CWB021637	←	O
	77	V-COIL COMPLETE (2-WAY VALVE)	1	CWA43C2607	←	O
	79	PTC THERMISTORS	1	D4DDG1010001	←	O
	82	ACCESSORY - COMPLETE	1	CWH82C2031	←	
	83	BAG	1	CWG861204	←	
	84	SHOCK ABSORBER	1	CWG712922	←	
	85	BASE BOARD - COMPLETE	1	CWG62C1086	←	
	86	SHOCK ABSORBER	2	CWG712852	←	
	88	C.C.CASE	1	CWG568054	←	

**Note:**

- All parts are supplied from PAPAMY, Malaysia (Vendor Code: 00029488).
- "O" marked parts are recommended to be kept in stock.

<Model: WH-UD14FE8 WH-UD16FE8>

SAFETY	REF. NO.	DESCRIPTION & NAME	QTY.	WH-UD14FE8	WH-UD16FE8	REMARK
	1	BASE PAN ASS'Y	1	CWD52K1275	←	
	2	COMPRESSOR	1	5JD420XBA22	←	O
	3	BUSHING - COMPRESSOR MOUNT	3	CWH50055	←	
	4	NUT - COMPRESSOR MOUNT	3	CWH561049	←	
	4a	GASKET FOR TERMINAL COVER	3	CWB811017	←	
	5	CRANKCASE HEATER	1	CWA341053	←	
	6	CONDENSER COMPLETE	1	CWB32C3986	←	
	7	HIGH PRESSURE SENSOR	1	CWA501463	←	O
	8	DISCHARGE MUFFLER	1	CWB121014	←	
	9	PRESSURE SWITCH	1	CWA101007	←	
	10	3-WAYS VALVE (GAS)	1	CWB011251	←	O
	11	4-WAYS VALVE	1	CWB001046	←	O
	12	3-WAYS VALVE	1	CWB011292	←	O
	13	STRAINER	3	CWB111032	←	
	15	TERMINAL COVER	1	CWH171039A	←	
	16	NUT - TERMINAL COVER	1	CWH7080300J	←	
	19	ACCUMULATOR	1	CWB131026A	←	
	20	SOUND PROOF MATERIAL	1	CWG302881	←	
	21	SOUND PROOF MATERIAL	1	CWG302266	←	
	22	SOUND PROOF BOARD	1	CWH15K1031	←	
	23	V-COIL COMPLETE (4-WAY VALVE)	1	CWA43C2169J	←	O
	24	V-COIL COMPLETE (MAIN)	1	CWA43C2602	←	O
	25	SENSOR - COMP. (OUTLET TEMP - TH1)	1	CWA50C2730	←	O
	26	SENSOR - COMP. (DISCHARGE TEMP - CN-DIS)	1	CWA50C2576	←	O
	27	SENSOR - COMPLETE - COM TANK (CN-TANK)	1	CWA50C2629	←	O
	27a	SENSOR - COMP. DEFROST TEMP (TH2)	1	CWA50C2577	←	O
	28	CABINET REAR PLATE - COMPLETE	1	CWE02C1059	←	
	29	CONTROL BOARD CASING	1	CWH10K1049	←	
	31	TERMINAL BOARD ASS'Y	1	CWA28K1214	←	O
	38	ELECTRONIC CONTROLLER - NF	1	CWA747838	←	O
	44	ELECTRONIC CONTROLLER - MAIN	1	CWA73C8540R	CWA73C8541R	O
	46	REACTOR (P1)	3	G0C293J00001	←	O
	47	REACTOR (P2)	3	G0C153J00009	←	O
	50	FAN MOTOR BRACKET	1	CWD54K1084	←	
	50a	SCREW - FAN MOTOR BRACKET	8	CWH551040J	←	
	53	FAN MOTOR (UPPER)	1	EHDS83CAC	←	O
	54	FAN MOTOR (BOTTOM)	1	EHDS83DAC	←	O
	54a	SCREW - FAN MOTOR MOUNT	8	CWH551323	←	
	55	PROPELLER FAN ASSY	2	CWH00K1006	←	
	56	NUT	2	CWH561092	←	
	57	CABINET FRONT PLATE	1	CWE061098A	←	
	58	DISCHARGE GRILLE	2	CWE201073	←	
	59	CABINET SIDE PLATE ASSY	1	CWE04K1023A	←	
	60	WIRE NET	1	CWD041103A	←	
	61	CABINET TOP PLATE CO.	1	CWE03C1096	←	
	62	HANDLE	2	CWE161008	←	
	64	PIPE COVER (FRONT)	1	CWD601074A	←	
	65	PIPE COVER (BACK)	1	CWD601075A	←	
	66	CABINET FRONT PLATE CO.	1	CWE06C1091	←	
	68	TUBE ASSY (CAP.TUBE)	1	CWT07K1606	←	
	69	ACCESSORY CO.(DRAIN ELBOW)	1	CWG87C900	←	
	70	EXPANSION VALVE	1	CWB051049	←	
	71	ELECTRO MAGNETIC SWITCH	1	K6C2AGA00002	←	O

SAFETY	REF. NO.	DESCRIPTION & NAME	QTY.	WH-UD14FE8	WH-UD16FE8	REMARK
	72	ELECTRO MAGNETIC SWITCH	1	K6C4E8A00001	←	O
	74	SENSOR - COMP. (CN-TH3)	1	CWA50C3204	←	O
	76	2-WAYS VALVE	1	CWB021637	←	O
	77	V-COIL COMPLETE (2-WAY VALVE)	1	CWA43C2607	←	O
	79	PTC THERMISTORS	1	D4DDG1010001	←	O
	82	ACCESSORY - COMPLETE	1	CWH82C2031	←	
	83	BAG	1	CWG861204	←	
	84	SHOCK ABSORBER	1	CWG712922	←	
	85	BASE BOARD - COMPLETE	1	CWG62C1086	←	
	86	SHOCK ABSORBER	2	CWG712852	←	
	88	C.C.CASE	1	CWG568054	←	

**Note:**

- All parts are supplied from PAPAMY, Malaysia (Vendor Code: 00029488).
- "O" marked parts are recommended to be kept in stock.