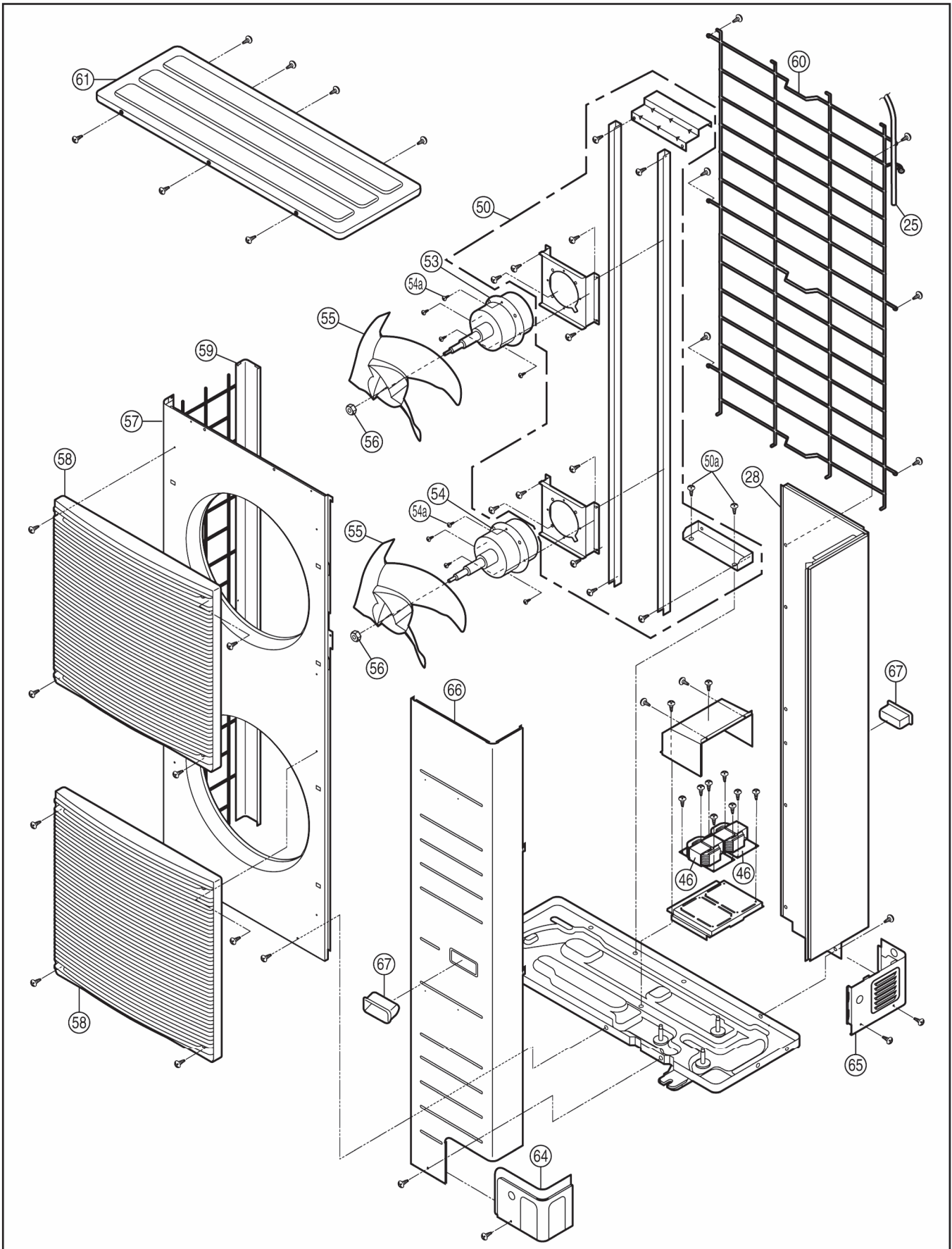
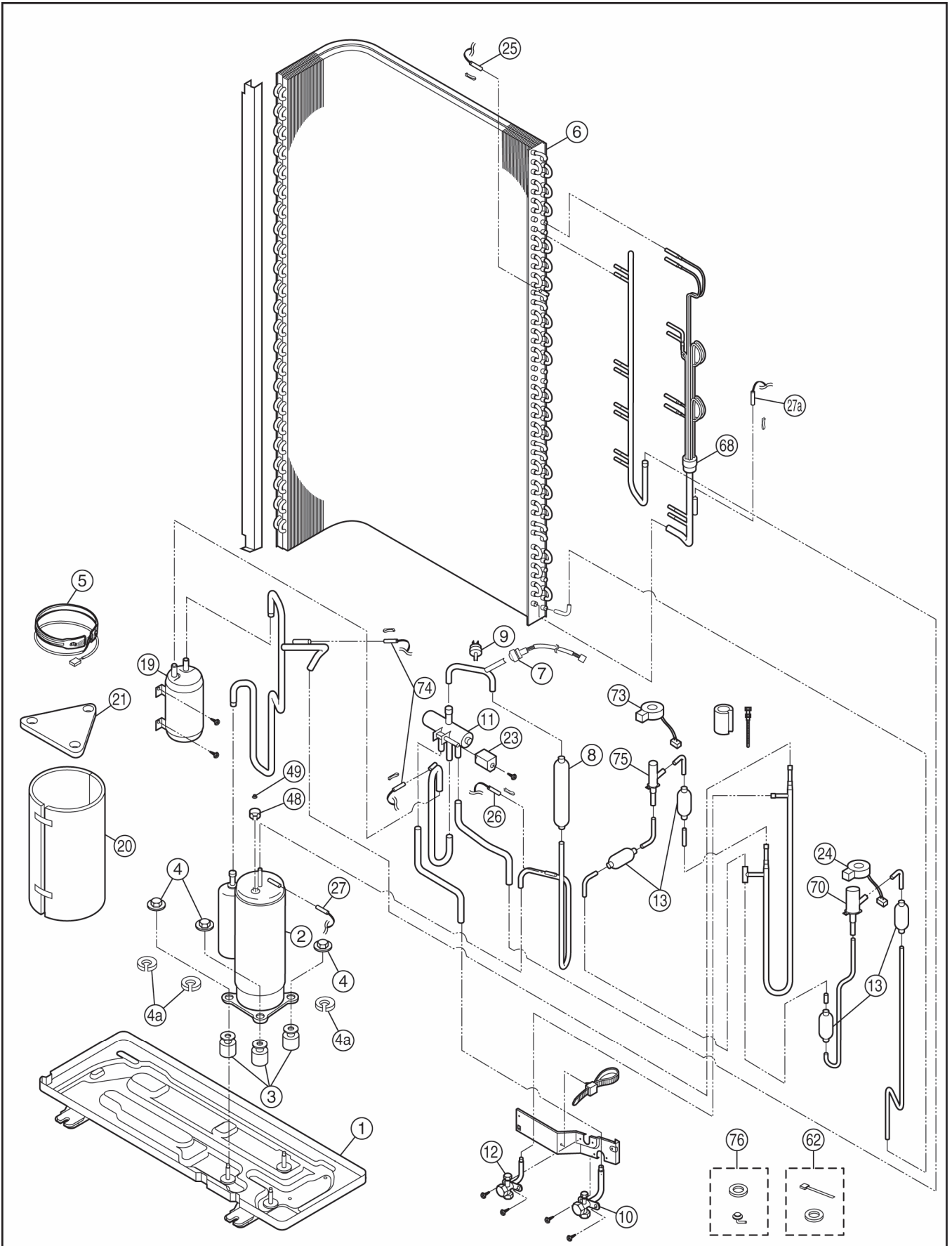
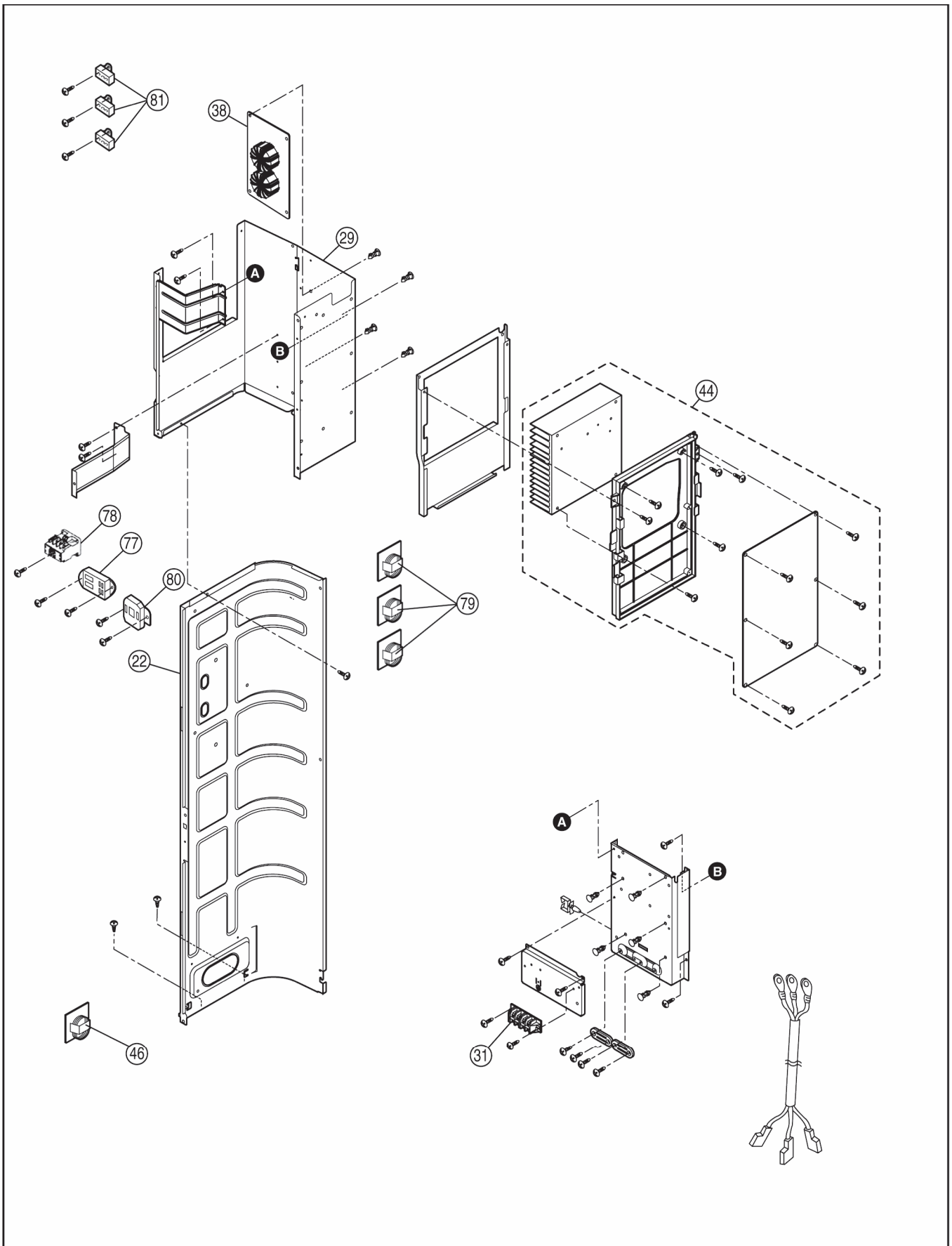


19.2 WH-UH09DE8 WH-UH12DE8







Note:

- The above exploded view is for the purpose of parts disassembly and replacement.
- The non-numbered parts are not kept as standard service parts.

< Model: WH-UH09DE8 WH-UH12DE8 >

REF. NO.	DESCRIPTION & NAME	QTY.	WH-UH09DE8	WH-UH12DE8	REMARK
1	BASE PAN ASS'Y	1	CWD52K1275	←	
2	COMPRESSOR	1	4JD650XBA22	←	o
3	BUSHING - COMPRESSOR MOUNT	3	CWH50055	←	
4	NUT-COMPRESSOR MOUNT	3	CWH561049	←	
4a	GASKET FOR TERMINAL COVER	3	CWB811017	←	
5	CRANKCASE HEATER	1	CWA341053	←	
6	CONDENSER COMPLETE	1	CWB32C3584	←	
7	HIGH PRESSURE SENSOR	1	CWA50C2570	←	o
8	DISCHARGE MUFFLER	1	CWB121014	←	
9	PRESSURE SWITCH	1	CWA101013	←	
10	3-WAYS VALVE (GAS)	1	CWB011251	←	
11	4-WAYS VALVE	1	CWB001046	←	
12	3-WAYS VALVE (LIQUID)	1	CWB011292	←	
13	STRAINER	2	CWB111032	←	
19	ACCUMULATOR	1	CWB131026A	←	
20	SOUND PROOF MATERIAL	1	CWG302265	←	
21	SOUND PROOF MATERIAL	1	CWG302266	←	
22	SOUND PROOF BOARD	1	CWH15K1031	←	
23	V-COIL COMPLETE - 4-WAYS VALVE	1	CWA43C2169J	←	o
24	V-COIL COMPLETE - EXP.VALVE	1	CWA43C2478	←	o
25	SENSOR-COMP TEMP/COIL	1	CWA50C2730	←	o
26	SENSOR-COMP. DISCHARGE	1	CWA50C2576	←	o
27	SENSOR-COMPLETE - TANK	1	CWA50C2629	←	o
27a	SENSOR-COMP. DEF	1	CWA50C2577	←	o
28	CABINET REAR PLATE-COMPLETE	1	CWE02C1067	←	
29	CONTROL BOARD CASING	1	CWH10K1049	←	
31	TERMINAL BOARD ASS'Y	1	CWA28K1214	←	o
38	ELECTRONIC CONTROLLER-NF	1	CWA745822	←	o
44	ELECTRONIC CONTROLLER (MAIN)	1	CWA73C6769R	CWA73C6770R	o
46	REACTOR	3	G0C293J00001	←	o
48	TERMINAL COVER	1	CWH171054	←	
49	NUT-TERMINAL COVER	1	CWH7080300J	←	
50	FAN MOTOR BRACKET	1	CWD54K1024	←	
50a	SCREW-FAN MOTOR BRACKET	8	CWH551040J	←	
53	FAN MOTOR	1	EHDS83CAC	←	o
54	FAN MOTOR	1	EHDS83DAC	←	o
54a	SCREW-FAN MOTOR MOUNT	8	CWH551323	←	
55	PROPELLER FAN ASSY	2	CWH00K1006	←	
56	NUT	2	CWH561092	←	
57	CABINET FRONT PLATE	1	CWE061098A	←	
58	DISCHARGE GRILLE	2	CWE201073	←	
59	CABINET SIDE PLATE ASSY	1	CWE04K1023A	←	
60	WIRE NET	1	CWD041103A	←	
61	CABINET TOP PLATE CO.	1	CWE03C1096	←	
62	ACCESSORY-COMPLETE	1	CWH82C1535	←	
64	PIPE COVER (FRONT)	1	CWD601074A	←	
65	PIPE COVER (BACK)	1	CWD601075A	←	
66	CABINET FRONT PLATE CO.	1	CWE06C1091	←	
67	HANDLE	2	CWE161008	←	
68	TUBE ASSY (CAP.TUBE)	1	CWT07K1619	←	
73	V-COIL COMPLETE - EXP.VALVE (BYPASS)	1	CWA43C2335	←	o
74	SENSOR-COMP. TEMP/COIL (BYPASS)	1	CWA50C2797	←	o
75	EXPANSION VALVE	2	CWB051029	←	

REF. NO.	DESCRIPTION & NAME	QTY.	WH-UH09DE8	WH-UH12DE8	REMARK
76	ACCESSORY CO. (DRAIN ELBOW)	1	CWG87C2030	←	
77	ELECTRO MAGNETIC SWITCH	1	K6C2AGA00002	←	o
78	ELECTRO MAGNETIC SWITCH	1	K6C4E8A00001	←	o
79	REACTOR	3	G0C153J00009	←	o
80	PTC THERMISTORS	1	D4DDG1010001	←	o
81	CAPACITOR-FM (3.5MF/440V)	1	DS441205NPQA	←	

Note:

- All parts are supplied from PAPAMY, Malaysia (Vendor Code: 00029488).
- "O" marked parts are recommended to be kept in stock.