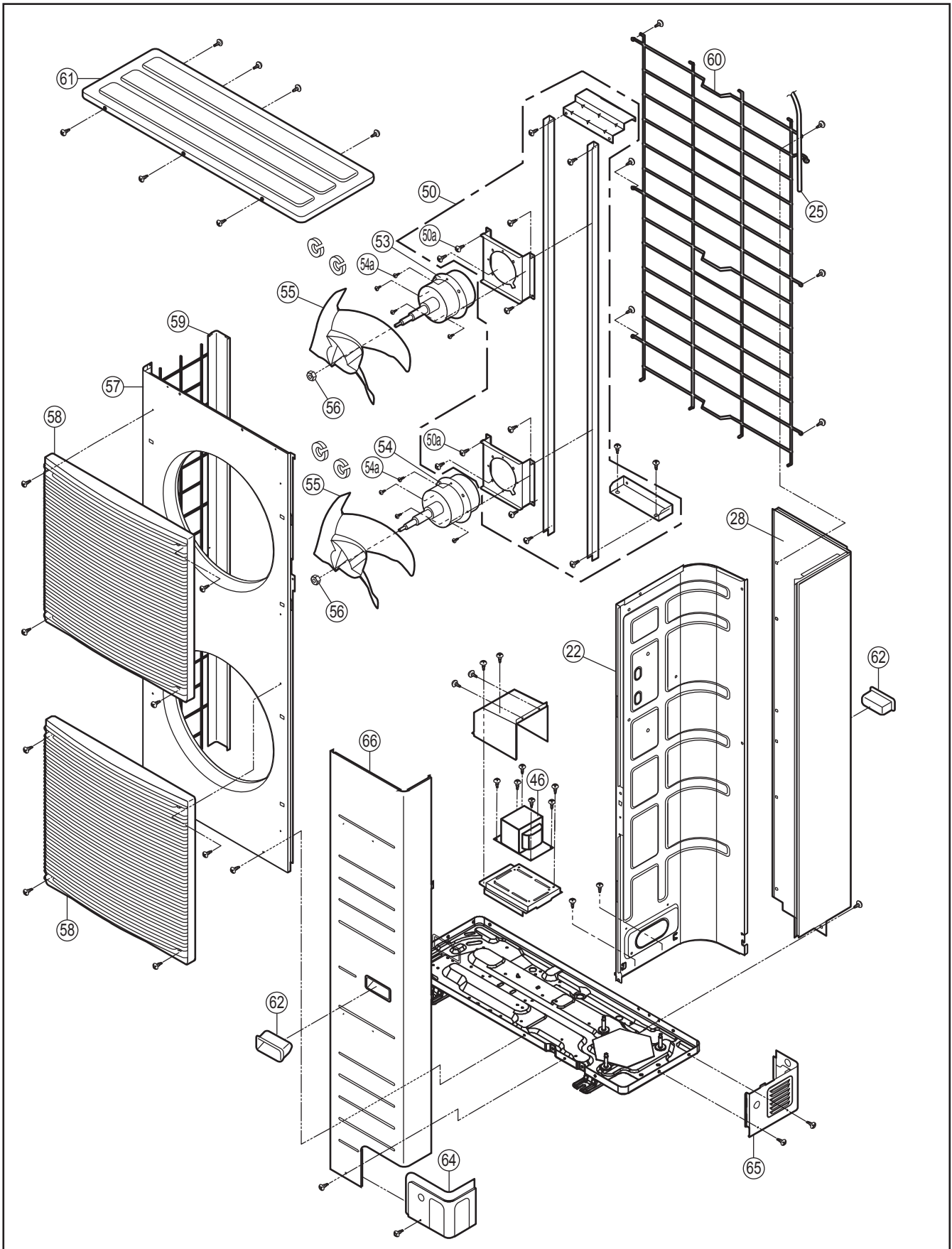
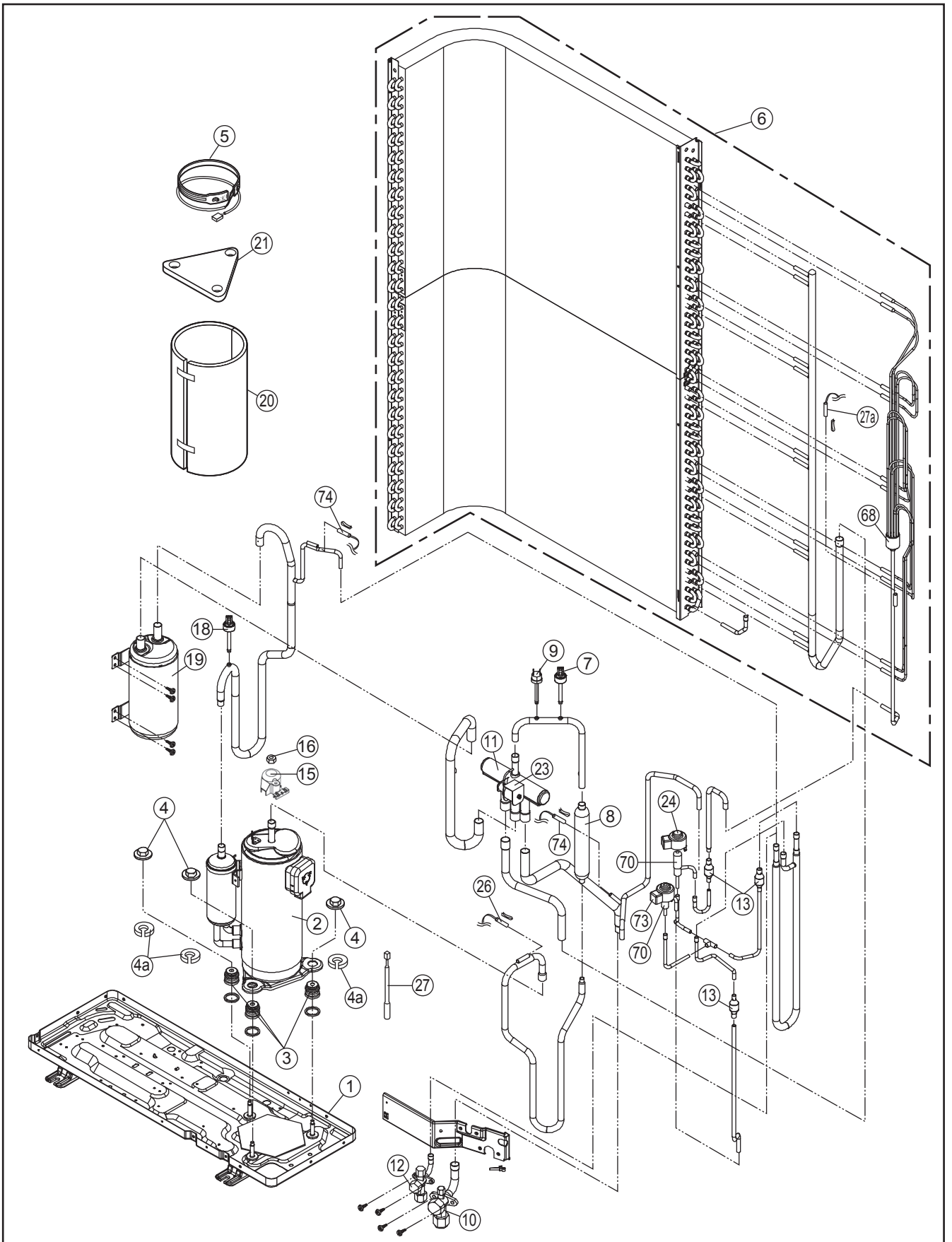
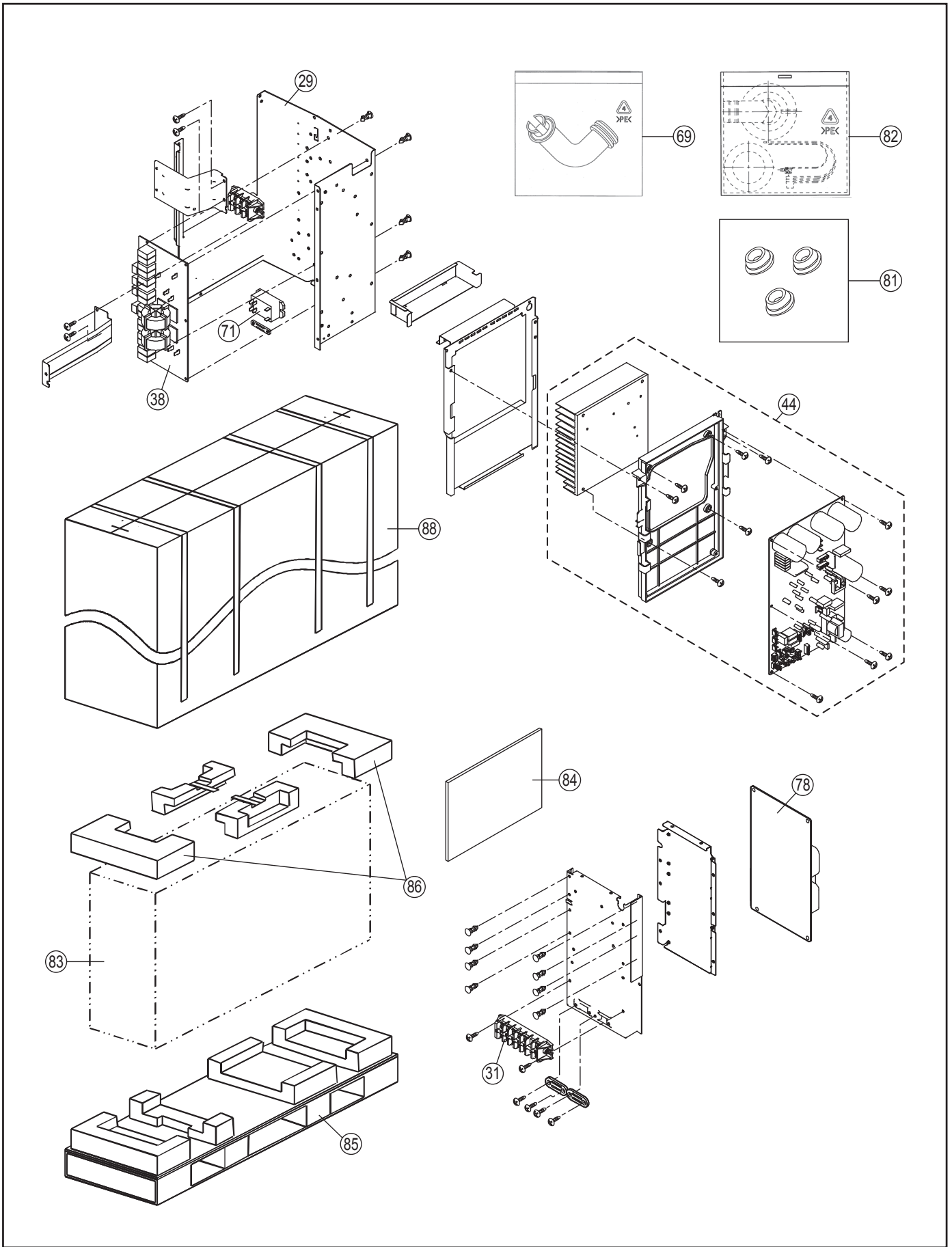


19.2 WH-UH09FE5 WH-UH12FE5










Note:

- The above exploded view is for the purpose of parts disassembly and replacement.
- The non-numbered parts are not kept as standard service parts.

< Model: WH-UH09FE5 WH-UH12FE5 >

SAFETY	REF. NO.	DESCRIPTION & NAME	QTY.	WH-UH09FE5	WH-UH12FE5	REMARK
	1	BASE PAN ASS'Y	1	CWD52K1275	←	
	2	COMPRESSOR	1	4JD650XAA22	←	O
	3	BUSHING - COMPRESSOR MOUNT	3	CWH50055	←	
	4	NUT - COMPRESSOR MOUNT	3	CWH561049	←	
	4a	GASKET FOR TERMINAL COVER	3	CWB811017	←	
	5	CRANKCASE HEATER	1	CWA341053	←	
	6	CONDENSER COMPLETE	1	CWB32C3987	←	
	7	HIGH PRESSURE SENSOR	1	CWA501463	←	
	8	DISCHARGE MUFFLER	1	CWB121014	←	
	9	PRESSURE SWITCH	1	CWA101013	←	O
	10	3-WAYS VALVE (GAS)	1	CWB011251	←	O
	11	4-WAYS VALVE	1	CWB001046	←	O
	12	3-WAYS VALVE (LIQUID)	1	CWB011292	←	O
	13	STRAINER	4	CWB111032	←	
	15	TERMINAL COVER	1	CWH171054	←	
	16	NUT - TERMINAL COVER	1	CWH7080300J	←	
	18	LOW PRESSURE SENSOR	1	CWA501543	←	
	19	ACCUMULATOR	1	CWB131026A	←	
	20	SOUND PROOF MATERIAL	1	CWG302881	←	
	21	SOUND PROOF MATERIAL	1	CWG302266	←	
	22	SOUND PROOF BOARD	1	CWH15K1019	←	
	23	V-COIL COMPLETE - 4-WAY VALVE	1	CWA43C2169J	←	O
	24	V-COIL COMPLETE - MAIN EXP.VALVE	1	CWA43C2478	←	O
	25	SENSOR - COMP. (OUTDOOR AIR & PIPE TEMP.)	1	CWA50C2730	←	O
	26	SENSOR - COMP. (DISCHARGE TEMP.)	1	CWA50C2576	←	O
	27	SENSOR - COMPLETE (COMPRESSOR TEMP.)	1	CWA50C2629	←	O
	27a	SENSOR - COMP. (DEFROST TEMP.)	1	CWA50C2577	←	O
	28	CABINET REAR PLATE - COMPLETE	1	CWE02C1067	←	
	29	CONTROL BOARD CASING	1	CWH10K1049	←	
	31	TERMINAL BOARD ASS'Y	1	CWA28K1213	←	O
	38	ELECTRONIC CONTROLLER - NF	1	CWA747856	←	O
	44	ELECTRONIC CONTROLLER - MAIN	1	CWA73C8316R	CWA73C8317R	O
	46	REACTOR	1	G0C592J00006	←	O
	50	FAN MOTOR BRACKET	1	CWD54K1084	←	
	50a	SCREW - FAN MOTOR BRACKET	2	CWH551040J	←	
	53	FAN MOTOR (UPPER)	1	EHDS83CAC	←	O
	54	FAN MOTOR (BOTTOM)	1	EHDS83DAC	←	O
	54a	SCREW - FAN MOTOR MOUNT	8	CWH551323	←	
	55	PROPELLER FAN ASSY	2	CWH00K1006	←	
	56	NUT	2	CWH561092	←	
	57	CABINET FRONT PLATE	1	CWE061098A	←	
	58	DISCHARGE GRILLE	2	CWE201073	←	
	59	CABINET SIDE PLATE ASSY	1	CWE04K1023A	←	
	60	WIRE NET	1	CWD041103A	←	
	61	CABINET TOP PLATE CO.	1	CWE03C1096	←	
	62	HANDLE	2	CWE161008	←	
	64	PIPE COVER (FRONT)	1	CWD601074A	←	
	65	PIPE COVER (BACK)	1	CWD601075A	←	
	66	CABINET FRONT PLATE CO.	1	CWE06C1091	←	
	68	TUBE ASSY (CAP.TUBE)	1	CWT07K1619	←	
	69	ACCESSORY CO. (DRAIN ELBOW)	1	CWG87C2030	←	
	70	EXPANSION VALVE	2	CWB051029	←	O
	71	MAGNET RELAYS	1	K6C1AYY00003	←	O

SAFETY	REF. NO.	DESCRIPTION & NAME	QTY.	WH-UH09FE5	WH-UH12FE5	REMARK
	73	V-COIL COMPLETE (BYPASS EXP.VALVE)	1	CWA43C2335	←	O
	74	SENSOR - COMP. (BYPASS AND EVA EXIT TEMP.)	1	CWA50C3165	←	O
	78	ELECTRONIC CONTROLLER - CAPACITOR	1	CWA747853	←	O
	81	ACCESSORY CO. (RUBBER CAP)	1	CWH82C1839	←	
	82	ACCESSORY -C COMPLETE	1	CWH82C2031	←	
	83	BAG	1	CWG861204	←	
	84	SHOCK ABSORBER	2	CWG712852	←	
	85	BASE BOARD - COMPLETE	1	CWG62C1086	←	
	86	SHOCK ABSORBER	1	CWG712854	←	
	88	C.C.CASE	1	CWG568054	←	

Note:

- All parts are supplied from PAPAMY, Malaysia (Vendor Code: 00029488).
- "O" marked parts are recommended to be kept in stock.