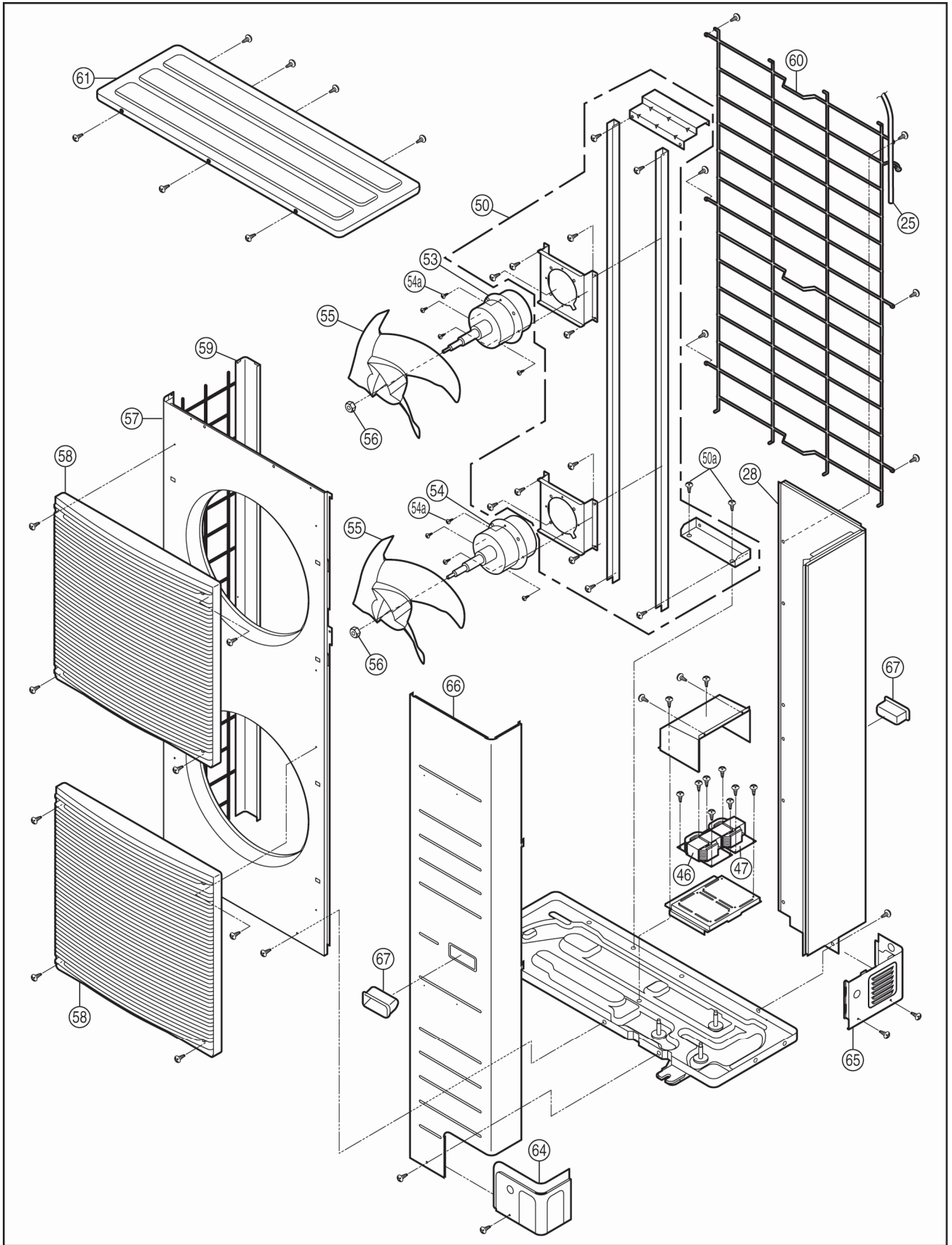
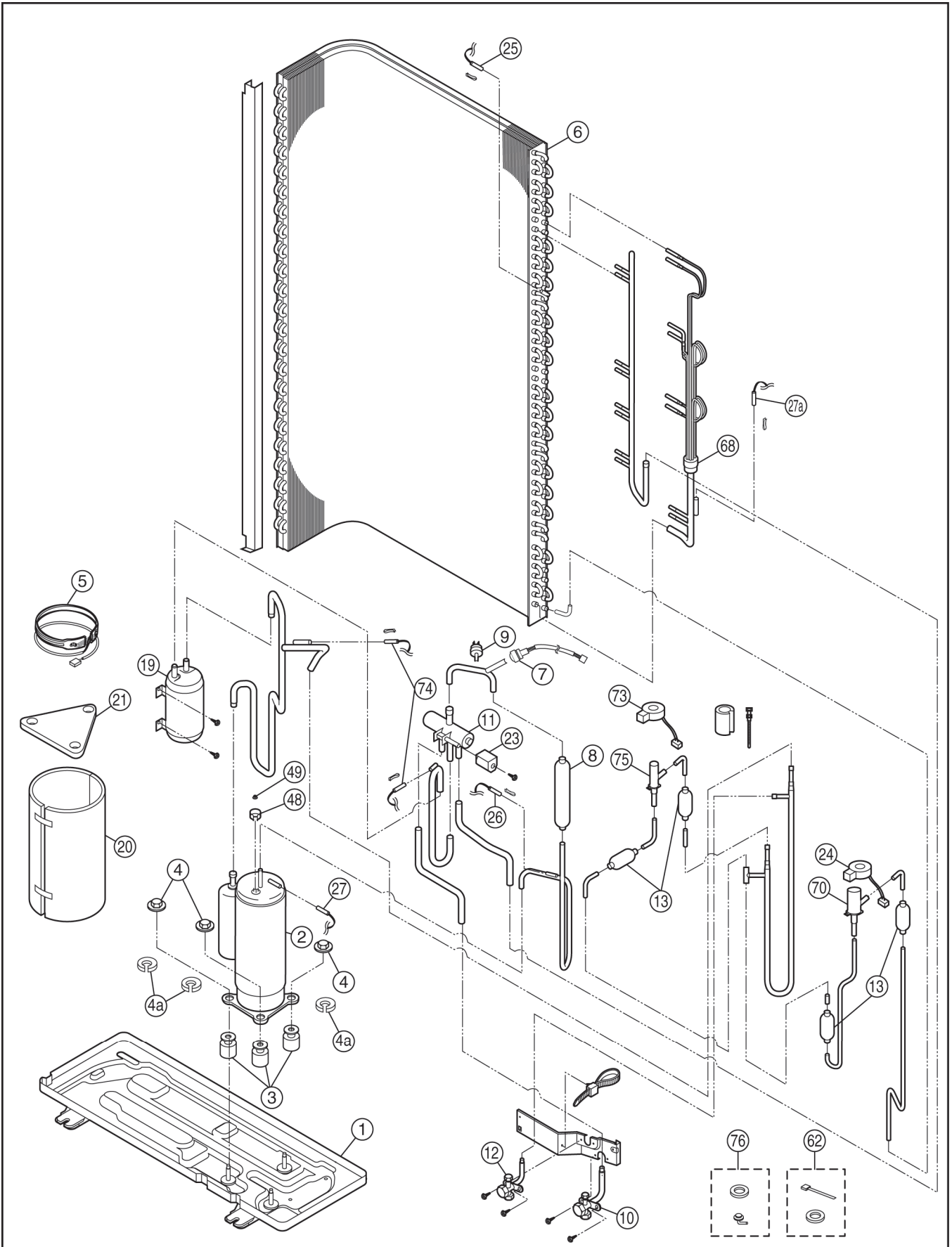
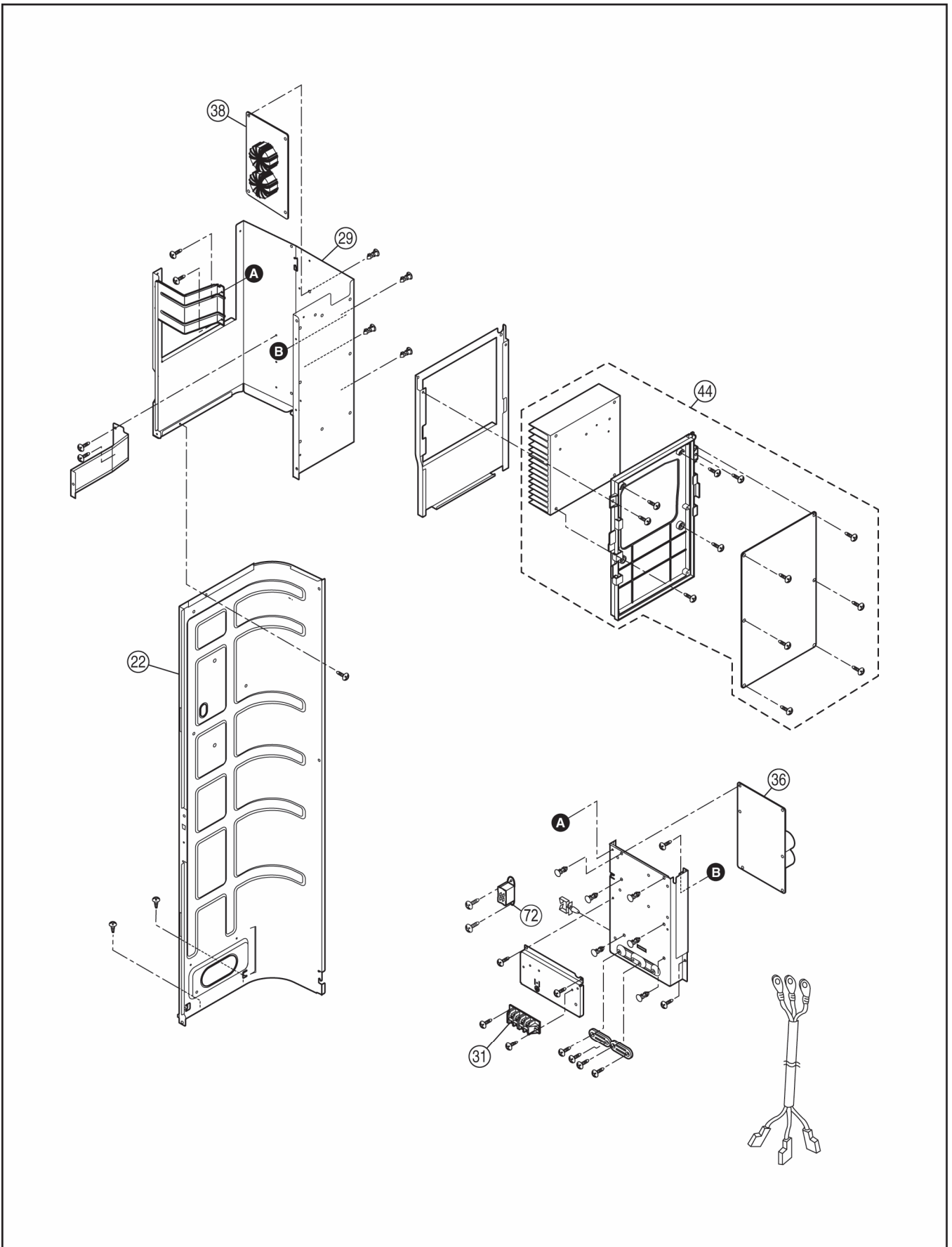


19.2 WH-UX09DE5 WH-UX12DE5 (WH-UX09DE5-1 WH-UX12DE5-1)







**Note:**

- The above exploded view is for the purpose of parts disassembly and replacement.
- The non-numbered parts are not kept as standard service parts.

< Model: WH-UX09DE5 WH-UX12DE5 (WH-UX09DE5-1 WH-UX12DE5-1)>

REF. NO.	DESCRIPTION & NAME	QTY.	WH-UX09DE5 (WH-UX09DE5-1)	WH-UX12DE5 (WH-UX12DE5-1)	REMARK
1	BASE PAN ASS'Y	1	CWD52K1275	←	
2	COMPRESSOR	1	5JD420XAA22	←	O
3	BUSHING - COMPRESSOR MOUNT	3	CWH50055	←	
4	NUT-COMPRESSOR MOUNT	3	CWH561049	←	
4a	GASKET FOR TERMINAL COVER	3	CWB811017	←	
5	CRANKCASE HEATER	1	CWA341053	←	
6	CONDENSER COMPLETE	1	CWB32C2983	←	
7	HIGH PRESSURE SENSOR	1	CWA50C2570	←	O
8	DISCHARGE MUFFLER	1	CWB121014	←	
9	PRESSURE SWITCH	1	CWA101013	←	
10	3-WAYS VALVE (GAS)	1	CWB011251	←	
11	4-WAYS VALVE	1	CWB001046	←	
12	3-WAYS VALVE (LIQUID)	1	CWB011292	←	
13	STRAINER	4	CWB111032	←	
19	ACCUMULATOR	1	CWB131026A	←	
20	SOUND PROOF MATERIAL	1	CWG302265	←	
21	SOUND PROOF MATERIAL	1	CWG302266	←	
22	SOUND PROOF BOARD	1	CWH15K1019	←	
23	V-COIL COMPLETE - 4-WAYS VALVE	1	CWA43C2169J	←	O
24	V-COIL COMPLETE - EXP.VALVE	1	CWA43C2385	←	O
25	SENSOR-COMP. TEMP/COIL	1	CWA50C2730	←	O
26	SENSOR-COMP. DISCHARGE	1	CWA50C2576	←	O
27	SENSOR-COMPLETE TOP	1	CWA50C2629	←	O
27a	SENSOR-COMP. DEF	1	CWA50C2577	←	O
28	CABINET REAR PLATE - COMPLETE	1	CWE02C1064	←	
29	CONTROL BOARD CASING	1	CWH10K1049	←	
31	TERMINAL BOARD ASS'Y	1	CWA28K1213	←	O
36	ELECTRONIC CONTROLLER - CAPACITOR	1	CWA746082	←	O
38	ELECTRONIC CONTROLLER - NF	1	CWA745446	←	O
44	ELECTRONIC CONTROLLER (MAIN)	1	CWA73C5729R	CWA73C5730R	O
46	REACTOR	3	G0C592J00006	←	O
47	REACTOR	3	G0C592J00006	G0C592J00007	O
48	TERMINAL COVER	1	CWH171039A	←	
49	NUT-TERMINAL COVER	1	CWH7080300J	←	
50	FAN MOTOR BRACKET	1	CWD54K1024	←	
50a	SCREW-FAN MOTOR BRACKET	8	CWH551040J	←	
53	FAN MOTOR	1	EHDS80AAC	←	O
54	FAN MOTOR	1	EHDS80BAC	←	O
54a	SCREW-FAN MOTOR MOUNT	8	CWH551323	←	
55	PROPELLER FAN ASSY	2	CWH00K1006	←	
56	NUT	2	CWH561092	←	
57	CABINET FRONT PLATE	1	CWE061098A	←	
58	DISCHARGE GRILLE	2	CWE201073	←	
59	CABINET SIDE PLATE ASSY	1	CWE04K1023A	←	
60	WIRE NET	1	CWD041103A	←	
61	CABINET TOP PLATE CO.	1	CWE03C1096	←	
62	ACCESSORY - COMPLETE	1	CWH82C1535	←	
64	PIPE COVER (FRONT)	1	CWD601074A	←	
65	PIPE COVER (BACK)	1	CWD601075A	←	
66	CABINET FRONT PLATE CO.	1	CWE06C1091	←	
67	HANDLE	2	CWE161008	←	
68	TUBE ASSY (CAP. TUBE)	1	CWT07K1541	←	
70	EXPANSION VALVE	1	CWB051054	←	

REF. NO.	DESCRIPTION & NAME	QTY.	WH-UX09DE5 (WH-UX09DE5-1)	WH-UX12DE5 (WH-UX12DE5-1)	REMARK
72	ELECTRO MAGNETIC SWITCH	1	K6C1AYY00003	←	O
73	V-COIL COMPLETE - EXP.VALVE	1	CWA43C2335	←	O
75	EXPANSION VALVE	1	CWB051029	←	
76	ACCESSORY CO. (DRAIN ELBOW)	1	CWG87C2030	←	

**Note:**

- All parts are supplied from PAPAMY, Malaysia (Vendor Code: 00029488).
- "O" marked parts are recommended to be kept in stock.