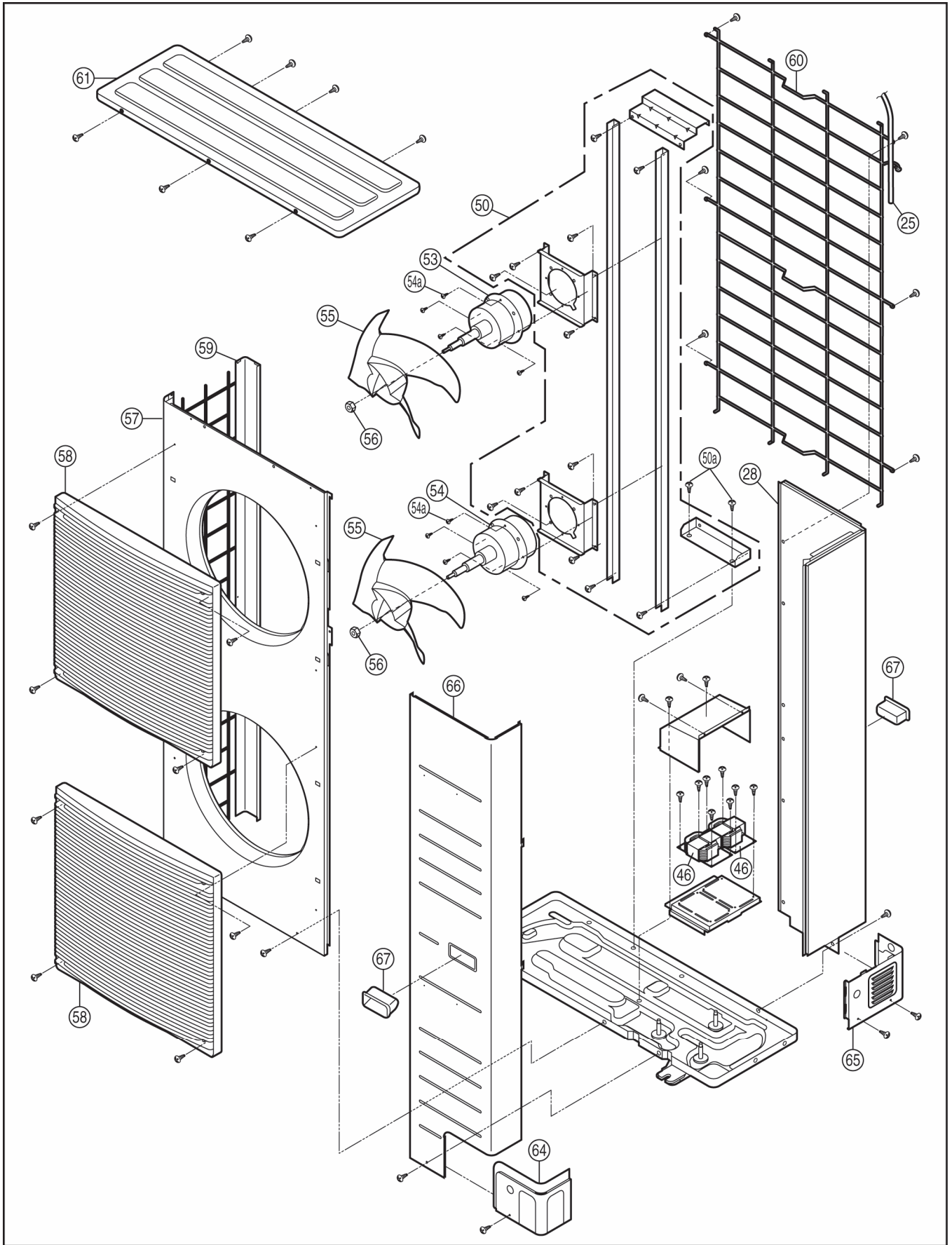
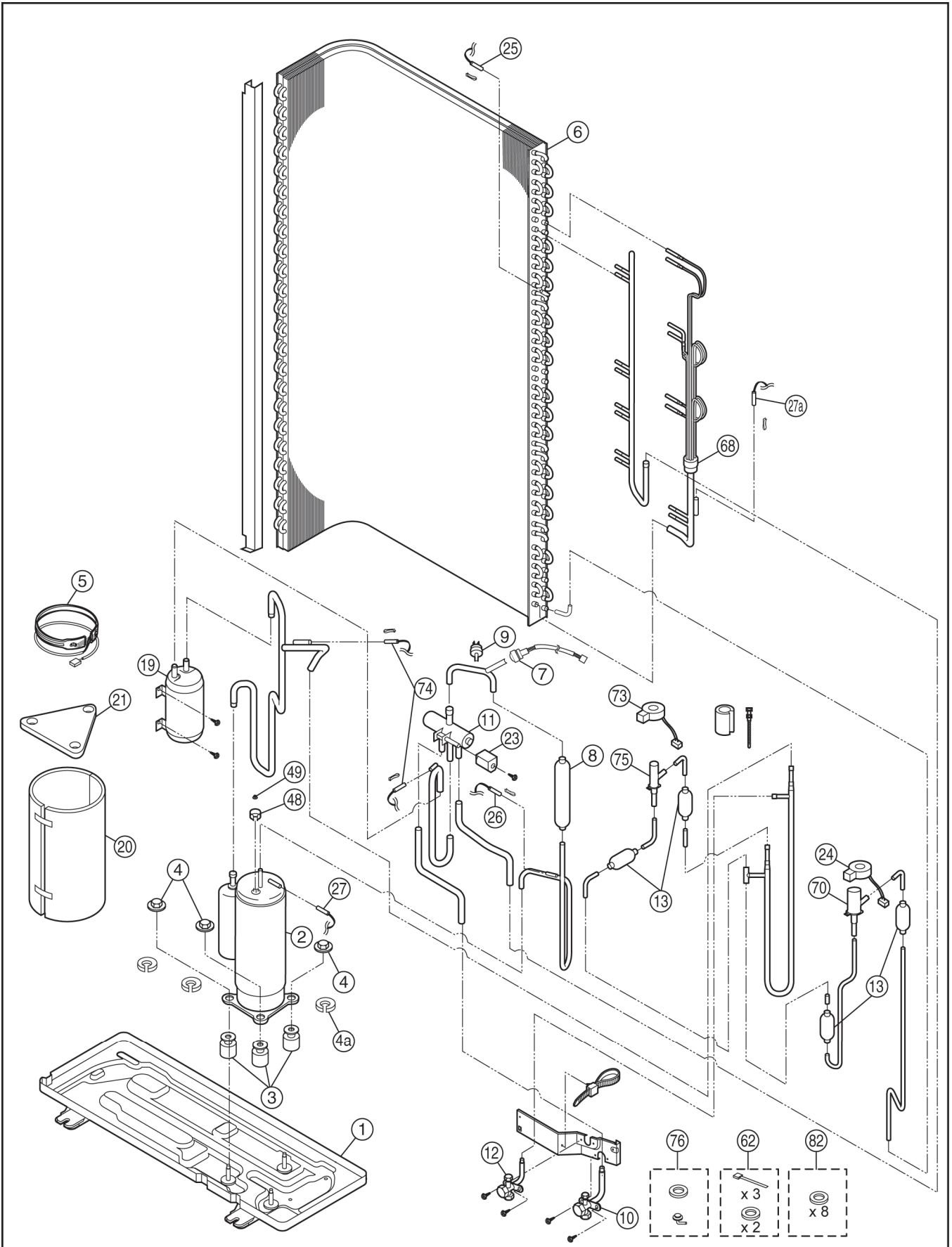
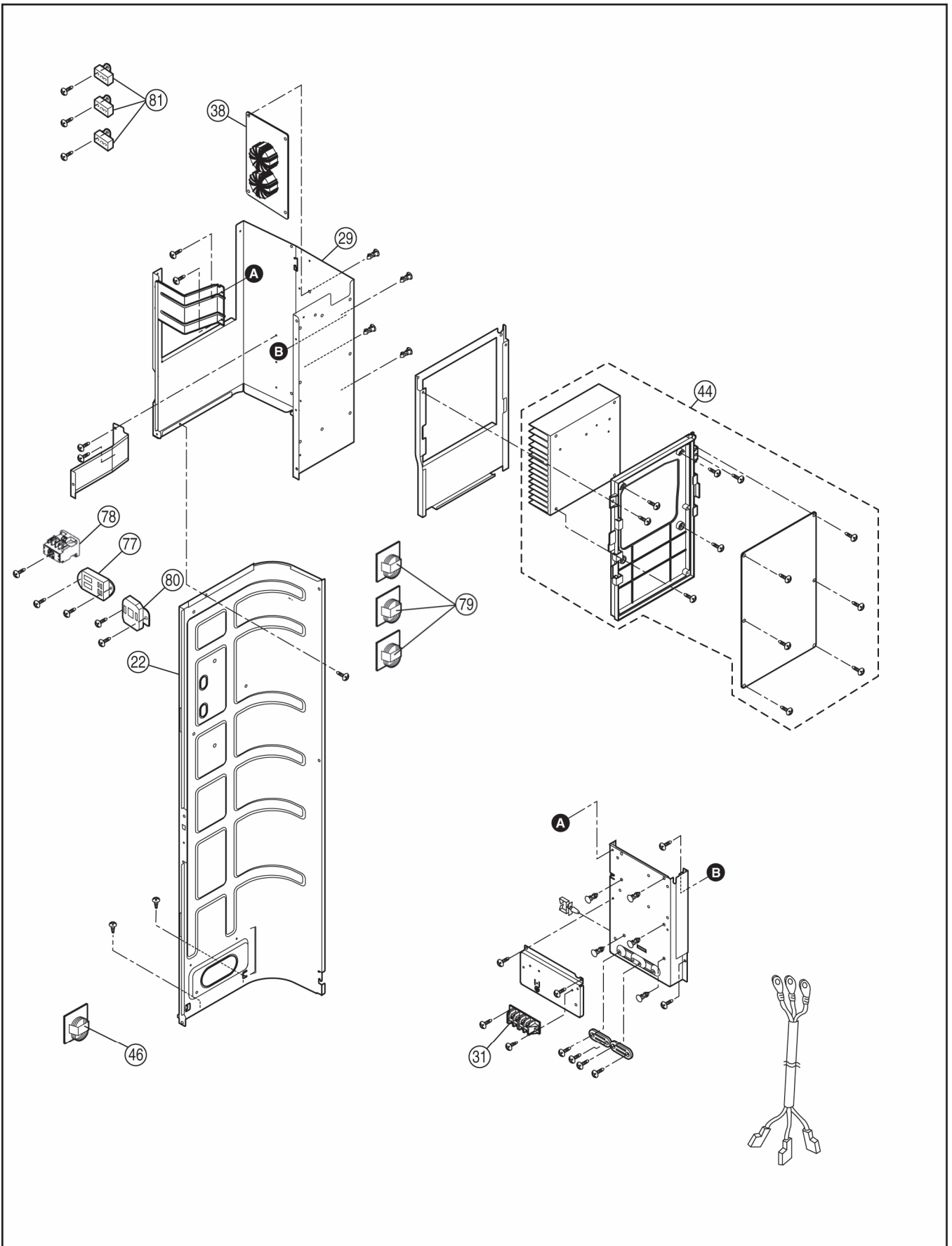


19.2 WH-UX09DE8 WH-UX12DE8







Note:

- The above exploded view is for the purpose of parts disassembly and replacement.
- The non-numbered parts are not kept as standard service parts.

<Model: WH-UX09DE8 WH-UX12DE8 >

REF. NO.	DESCRIPTION & NAME	QTY.	WH-UX09DE8	WH-UX12DE8	REMARKS
1	BASE PAN ASS'Y	1	CWD52K1275	←	
2	COMPRESSOR	1	5JD420XBA22	←	O
3	ANTI-VIBRATION BUSHING	3	CWH50055	←	
4	NUT FOR COMP. MOUNT.	3	CWH561049	←	
4a	PACKING	3	CWB811017	←	
5	CRANKCASE HEATER	1	CWA341053	←	
6	CONDENSER COMPLETE	1	CWB32C2983	←	
7	HIGH PRESSURE SENSOR	1	CWA50C2570	←	
8	DISCHARGE MUFFLER	1	CWB121014	←	
9	PRESSURE SWITCH	1	CWA101013	←	
10	3-WAYS VALVE (GAS)	1	CWB011251	←	
11	4-WAYS VALVE	1	CWB001046	←	
12	3-WAYS VALVE (LIQUID)	1	CWB011292	←	
13	STRAINER	4	CWB111032	←	
19	ACCUMULATOR ASS'Y	1	CWB131026A	←	
20	SOUND PROOF MATERIAL - COMP	1	CWG302265	←	
21	SOUND PROOF MATERIAL	1	CWG302266	←	
22	SOUND-PROOF BOARD ASS'Y	1	CWH15K1031	←	
23	V-COIL COMPLETE - 4-WAYS VALVE	1	CWA43C2169J	←	O
24	V-COIL COMPLETE - EXP. VALVE	1	CWA43C2385	←	O
25	SENSOR-OD TEMP./COIL	1	CWA50C2730	←	
26	SENSOR-COMP.DISCHARGE	1	CWA50C2576	←	
27	SENSOR-COMP. TOP	1	CWA50C2629	←	
27a	SENSOR-COMP. DEF.	1	CWA50C2577	←	
28	CABINET REAR PLATE	1	CWE02C1064	←	
29	CONTROL BOARD CASING	1	CWH10K1049	←	
31	TERMINAL BOARD ASS'Y	1	CWA28K1214	←	
38	ELECTRONIC CONTROLLER (NOISE FILTER)	1	CWA745822	←	O
44	ELECTRONIC CONTROLLER (MAIN)	1	CWA73C5785R	CWA73C5786R	O
46	REACTOR	3	G0C293J00001	←	
48	TERMINAL COVER	1	CWH171039A	←	
49	NUT FOR TERMINAL COVER	1	CWH7080300J	←	
50	BRACKET FAN MOTOR	1	CWD54K1024	←	
50a	SCREW-BRACKET FAN MOTOR	2	CWH551040J	←	
53	FAN MOTOR	1	EHDS83CAC	←	O
54	FAN MOTOR	1	EHDS83DAC	←	O
54a	SCREW-FAN MOTOR	8	CWH551016J	←	
55	PROPELLER FAN	2	CWH00K1006	←	
56	NUT for PROPELLER FAN	2	CWH561038J	←	
57	CABINET FRONT PLATE	1	CWE061098A	←	
58	DISCHARGE GRILLE	2	CWE201073	←	
59	CABINET SIDE PLATE	1	CWE04K1023A	←	
60	WIRE NET	1	CWD041103A	←	
61	CABINET TOP PLATE COMPLETE	1	CWE03C1096	←	
62	ACCESSORY COMPLETE	1	CWH82C1535	←	
64	PIPE COVER (FRONT)	1	CWD601074A	←	
65	PIPE COVER (BACK)	1	CWD601075A	←	
66	CABINET FRONT PLATE COMPLETE	1	CWE06C1091	←	
67	HANDLE	2	CWE161008	←	
68	TUBE ASS'Y (CAPILLARY TUBE)	1	CWT07K1541	←	
70	EXPANSION VALVE	1	CWB051054	←	
73	V-COIL COMPLETE - EXP. VALVE (BYPASS)	1	CWA43C2335	←	
74	SENSOR-OD TEMP./COIL (BYPASS)	1	CWA50C2797	←	

REF. NO.	DESCRIPTION & NAME	QTY.	WH-UX09DE8	WH-UX12DE8	REMARKS
75	EXPANSION VALVE	1	CWB051029	←	
76	ACCESSORY CO. (DRAIN ELBOW)	1	CWG87C2030	←	
77	ELECTRO MAGNETIC SWITCH	1	K6C2AGA00002	←	
78	ELECTRO MAGNETIC SWITCH	1	K6C4E8A00001	←	
79	REACTOR	3	G0C153J00009	←	
80	PTC THERMISTORS	1	D4DDG1010001	←	
81	CAPACITOR-FM	3	DS441205NPQA	←	
82	ACCESSORY CO. (RUBBER CAP)	1	CWH82C1839	←	

Note:

- All parts are supplied from PHAAM, Malaysia (Vendor Code: 00029488).
- "O" marked parts are recommended to be kept in stock.